



















LUMINEX[®]

LUMINEX[®]
line



Edition II

PICTOGRAPHS – EXPLANATIONS

	Equipped with LEDs.
	Voltage range.
	Ingress protection against water and dust.
	Homologated.
	Electromagnetic compatibility. Does not disrupt other electrical equipment (ECE R10).
	Approved for use as a reflector.
	Approved for illuminating registration plate lamp.
	Approved for use as a direction indicator.
	Approved for installation as an additional parking light or brake light for motor vehicles and trailers.
	Approved for use as a reverse light.
	Approved for use as a fog lamp.
	Approved for use as orange, red or blue warning lights.
	Approved for use as daytime running lights.
	Approved for use as parking lights.
	Regulations for high and low beams.
POLYCARBONATE	Polycarbonates are a group of thermoplastic polymers. They are tough, resilient materials used in making lighting and displays.
ABS	ABS is a polymer made of acrylonitrile, butadiene and styrene. The mixture is composed of one-half styrene, a quarter butadiene and a quarter acrylonitrile. Styrene and acrylonitrile provide chemical resistance, hardness and temperature protection. Butadiene provides impact resistance. ABS is mainly characterized by high tensile strength, surface hardness, dimensional stability and stiffness over a wide range of temperatures.
PMMA	Polymethyl methacrylate – Plexiglas, acrylic glass.
	Bluetooth – wireless communication.
	Wireless Wi-Fi connection.
	Dynamic indicator.



LuminexLine specialises in the production of LED lighting for the automotive market all over the world. Its products include work lights, beacons, warning systems, tail lights, fog lights and reverse lights. All available in orange, as well as blue and red for rescue services and the police.

LuminexLine is a proven brand on the global market whose popularity is growing among consumers around the world because of the quality and wide usability of LuminexLine parts.

LuminexLine is developed overseas as well as on the domestic European market. The brand's strengths lie in quality, innovation and functionality.

LUMINEX[®]
line



CONTENTS

1 LED WORK LIGHTS 4

2 LED LIGHT BARS 46

3 LED ROTATING BEACONS 60

4 LED WARNING LIGHTS /
STROBE LIGHTS 84

5 LED WARNING LIGHTS /
LED ALLEYS. 92

6 LED WARNING SYSTEM /
RESCUE SERVICES 96

7 LED WARNING BEACONS /
POLE MOUNTING 114

8 LED TAIL LIGHTS 118

9 HEADLIGHTS AND DAYTIME
RUNNING LAMPS. 146

10 INTERIOR LED LIGHTS 150

11 SUPPLEMENTARY ITEMS. 156

EXPLANATIONS 163

LED *WORK LIGHTS*



LUMINEX[®]
line

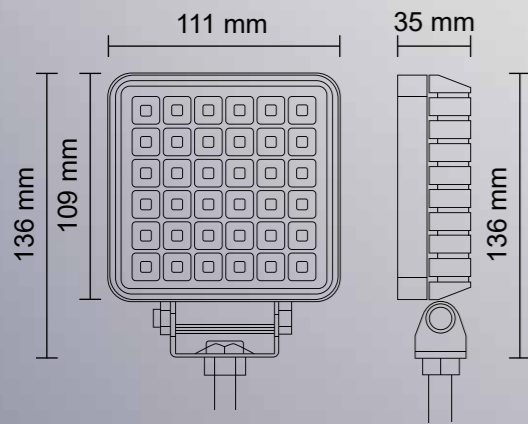
Order No. 729949



SERIES CRYSTAL

2250 LUMENS

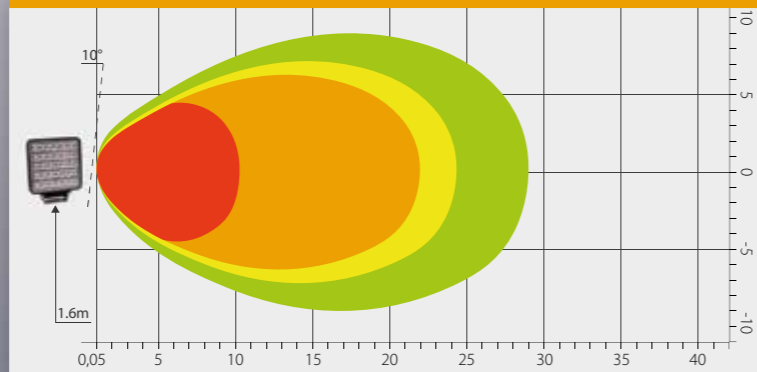
SQUARE



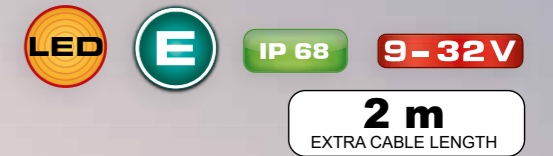
PARAMETERS

- » Flood light
- » Switch: ON/OFF
- » 30 LEDs, 30 W
- » Aluminium housing (AL)
- » Lens Material: polycarbonate
- » 12 V – 2.35 A/24 V – 1.11 A
- » Mounting: nut + M7 screw
- » Cable: 2 m

BEAM



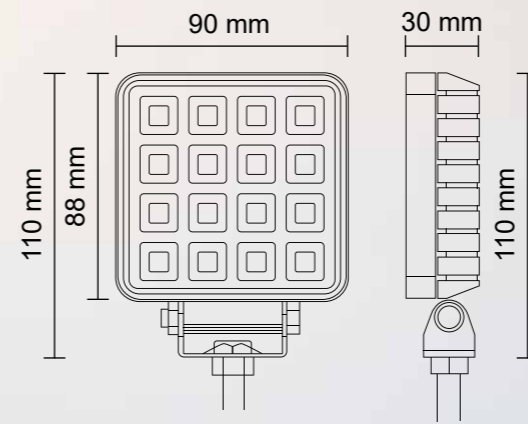
Order No. 729950



SERIES CRYSTAL

1200 LUMENS

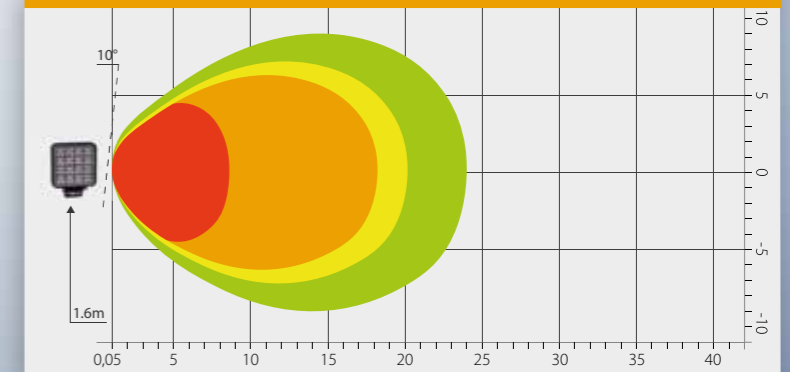
SQUARE



PARAMETERS

- » Flood light
- » Switch: ON/OFF
- » 16 LEDs, 16 W
- » Aluminium housing (AL)
- » Lens Material: polycarbonate
- » 12 V – 1.14 A/24 V – 0.57 A
- » Mounting: nut + M7 screw
- » Cable: 2 m

BEAM

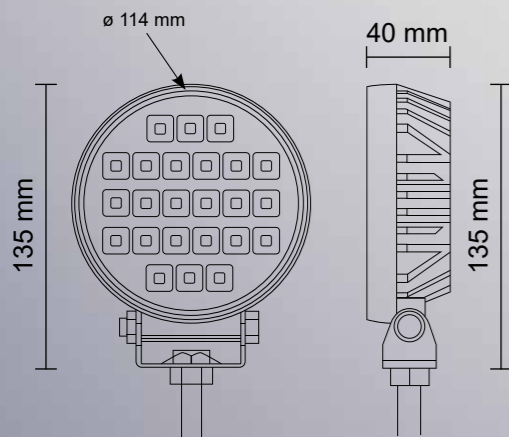


Order No. 729951

LED E IP 68 9-32V

2 m
EXTRA CABLE LENGTH

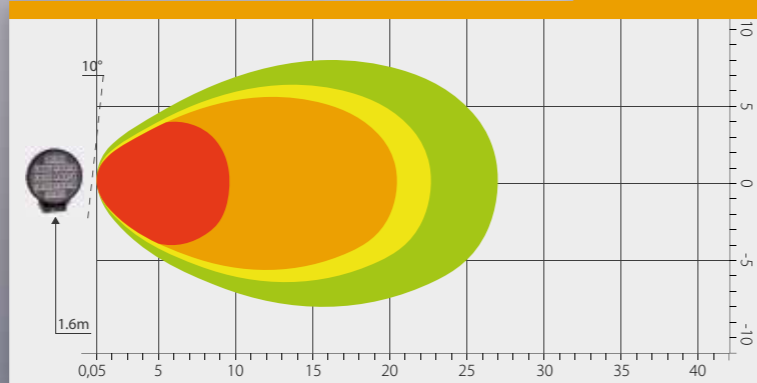
SERIES CRYSTAL
1800 LUMENS
ROUND



PARAMETERS

- » Flood light
- » Switch: ON/OFF
- » 24 LEDs, 24 W
- » Aluminium housing (AL)
- » Lens Material: polycarbonate
- » 12 V – 1.89 A / 24 V – 0.91 A
- » Mounting: nut + M7 screw
- » Cable: 2 m

BEAM



Order No. 729949/H

SERIES CRYSTAL

Hand lamp holder



Order No. 729950/H

SERIES CRYSTAL

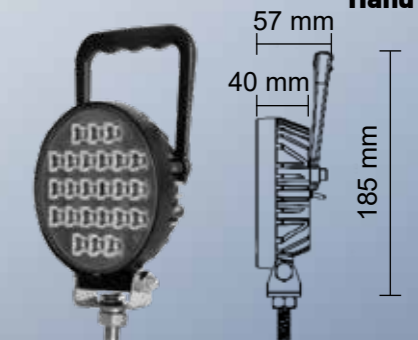
Hand lamp holder



Order No. 729951/H

SERIES CRYSTAL

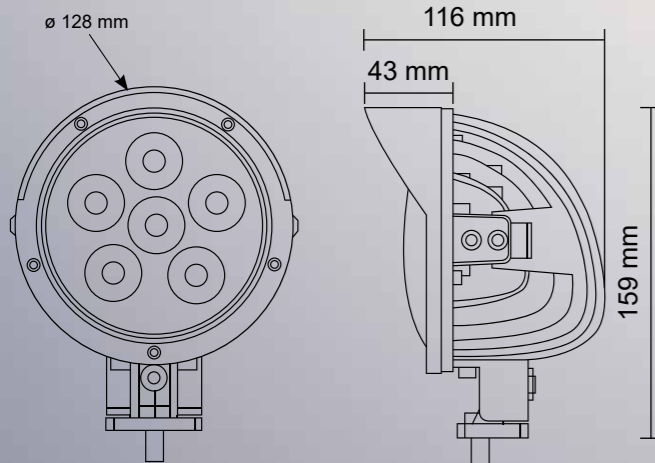
Hand lamp holder



Order No. 729955



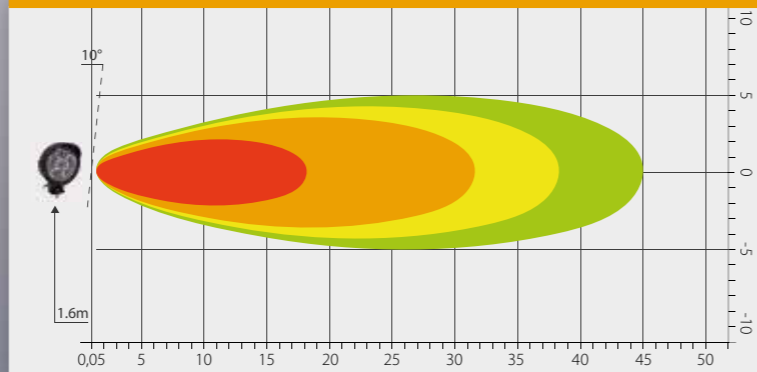
SERIES 3000
7410 LUMENS
ROUND



PARAMETERS

- » Spot light
- » 6 LEDs, 40 W
- » Aluminium housing (AL)
- » Lens Material: polycarbonate
- » 12 V – 2.96 A/24 V – 1.4 A
- » Mounting: nut + M7 screw
- » Cable: 0.3 m
- » -40 °C ~ +55 °C

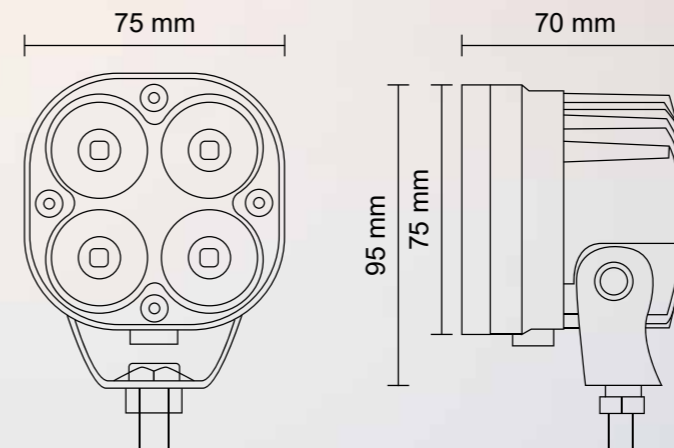
BEAM



Order No. 729956



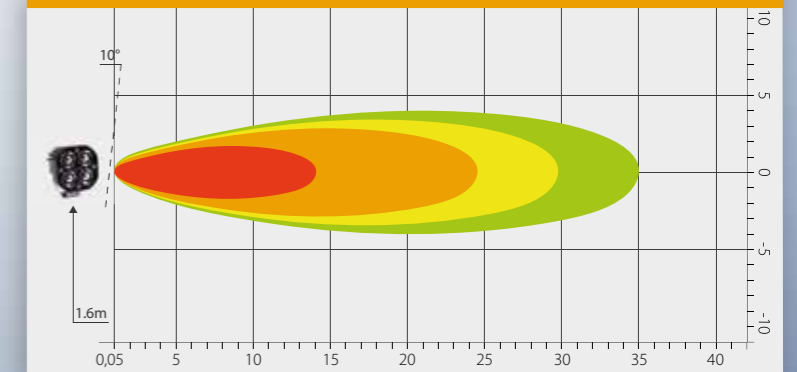
SERIES 3000
2700 LUMENS
SQUARE



PARAMETERS

- » Spot light
- » 4 LEDs, 40 W
- » Aluminium housing (AL)
- » Lens Material: polycarbonate
- » 12 V – 2.3 A/24 V – 1.1 A
- » Mounting: nut + M7 screw
- » Cable: 0.3 m
- » -40 °C ~ +55 °C

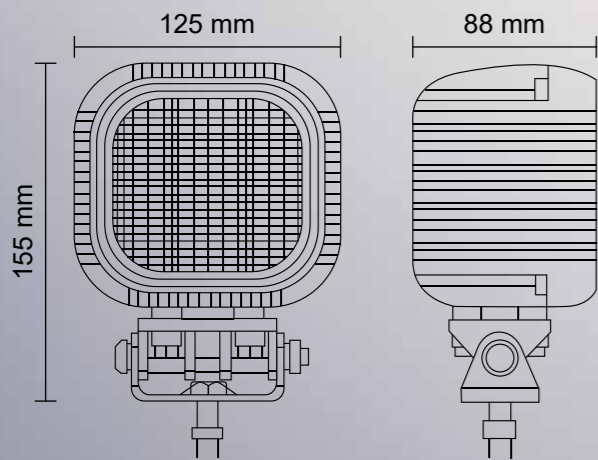
BEAM



Order No. 729957



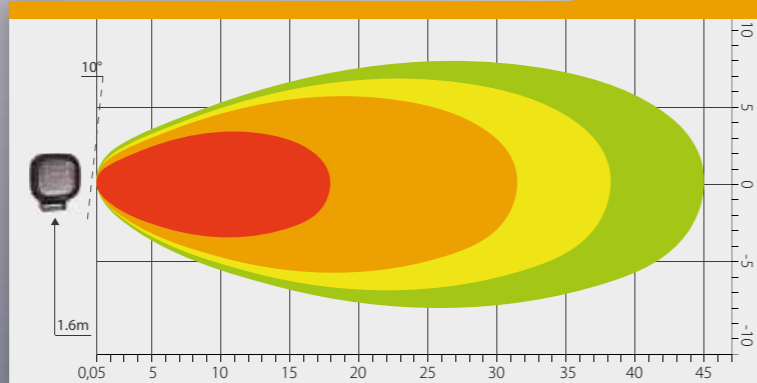
SERIES 3000
3100 LUMENS
OBLONG



PARAMETERS

- » Flood light
- » 16 LEDs, 48 W
- » Aluminium housing (AL)
- » Lens Material: polycarbonate
- » 12 V – 2.5 A/24 V – 1.2 A
- » Mounting: nut + M7 screw
- » Cable: 0.3 m
- » -40 °C ~ +55 °C

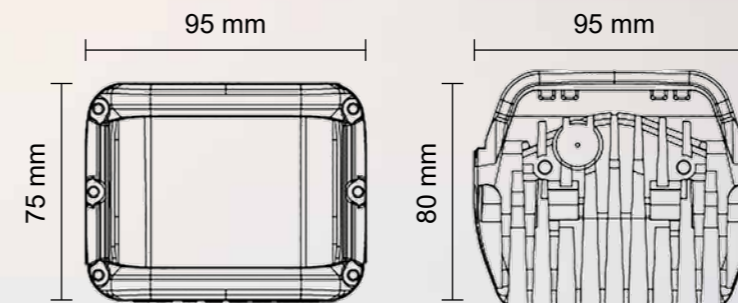
BEAM



Order No. 725697



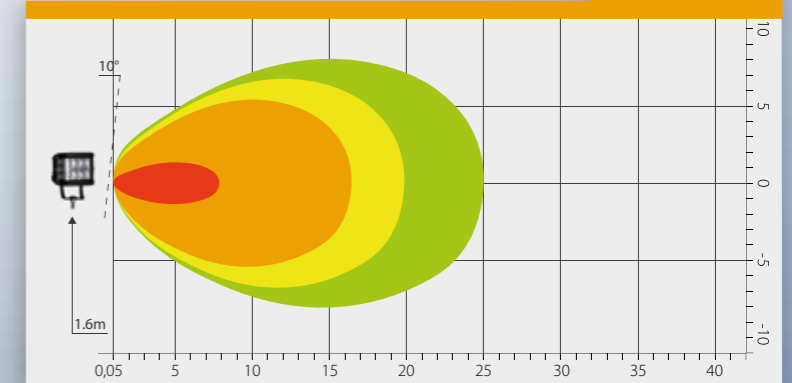
SERIES 2000
2880 LUMENS
SQUARE



PARAMETERS

- » Flood light
- » 12 LEDs, 36 W
- » Aluminium housing (AL)
- » 12 V - 1 A/24 V - 0.5 A
- » Lens Material: polycarbonate
- » Mounting: nut + M7 screw
- » Cable: 0.35 m

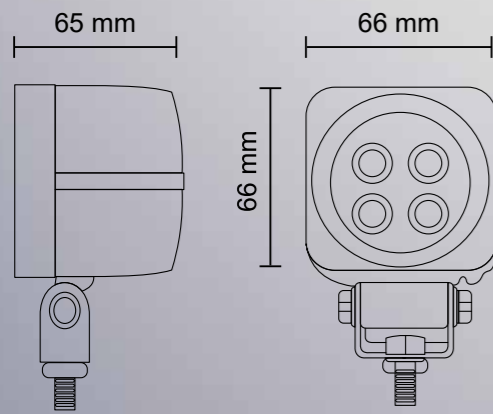
BEAM



Order No. 727470



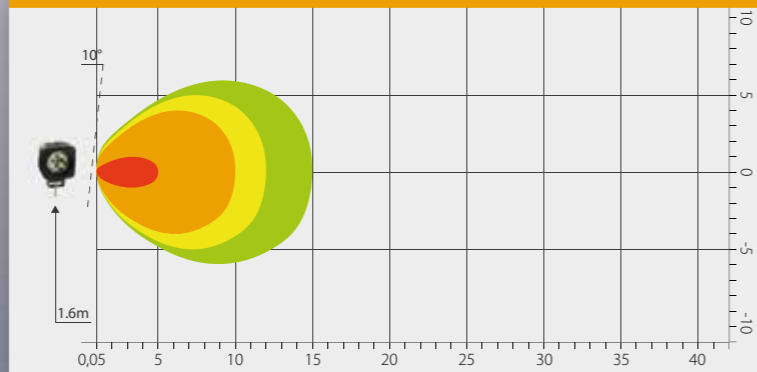
SERIES 2000
780 LUMENS
SQUARE



PARAMETERS

- » Flood light
- » 4 LEDs, 12 W
- » Aluminium housing (AL)
- » Lens Material: polycarbonate
- » 12 V – 1 A/24 V – 0.5 A
- » Mounting: nut + M7 screw
- » Cable: 0.35 m

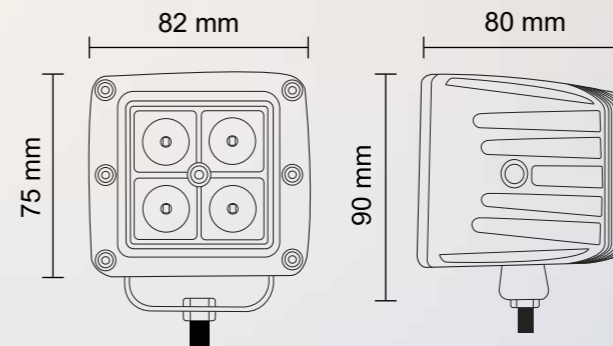
BEAM



Order No. 725656



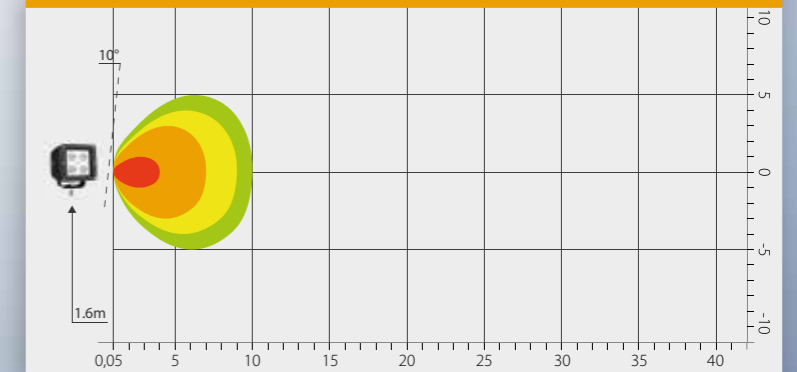
SERIES 2000
800 LUMENS
SQUARE



PARAMETERS

- » Flood light
- » 4 LEDs, 20 W
- » Aluminium housing (AL)
- » Lens Material: polycarbonate
- » 12 V – 1.2 A/24 V – 0.6 A
- » Mounting: nut + M8 screw
- » Cable: 0.35 m

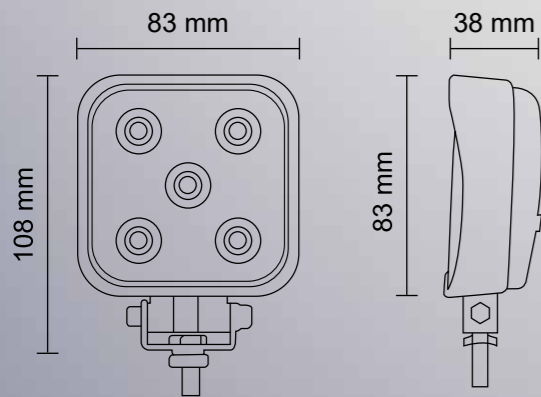
BEAM



Order No. 723647



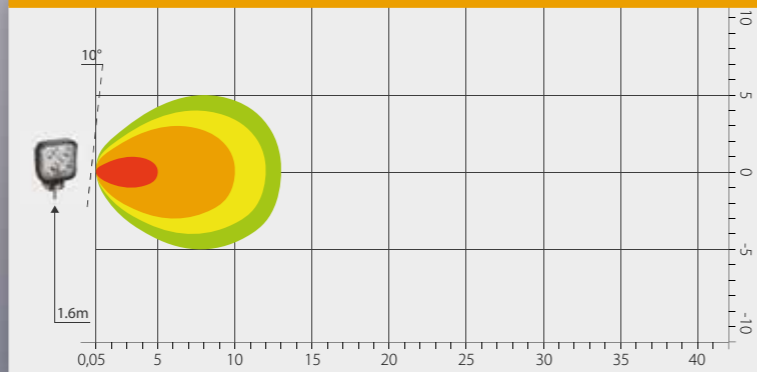
SERIES 2000
800 LUMENS
SQUARE



PARAMETERS

- » Flood light
- » 5 LEDs, 15 W
- » Aluminium housing (AL)
- » Lens Material: polycarbonate
- » 12 V – 1.7 A / 24 V – 0.9 A
- » Mounting: nut + M7 screw
- » Cable: 0.35 m

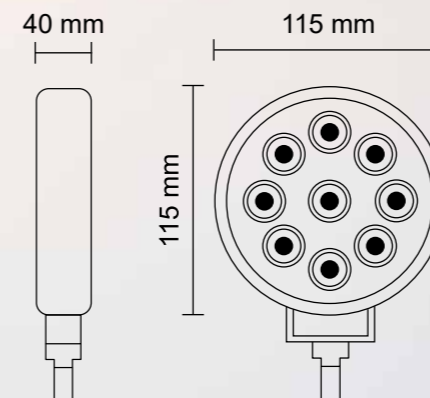
BEAM



Order No. 720076



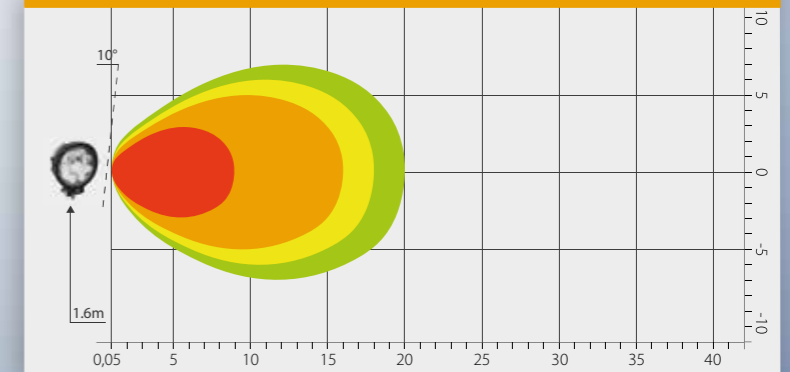
SERIES 2000
1700 LUMENS
ROUND



PARAMETERS

- » Flood light
- » 9 LEDs, 27 W
- » Aluminium housing (AL)
- » Lens Material: polycarbonate
- » 12 V – 2 A / 24 V – 1 A
- » Mounting: nut + M7 screw
- » Cable: 0.35 m

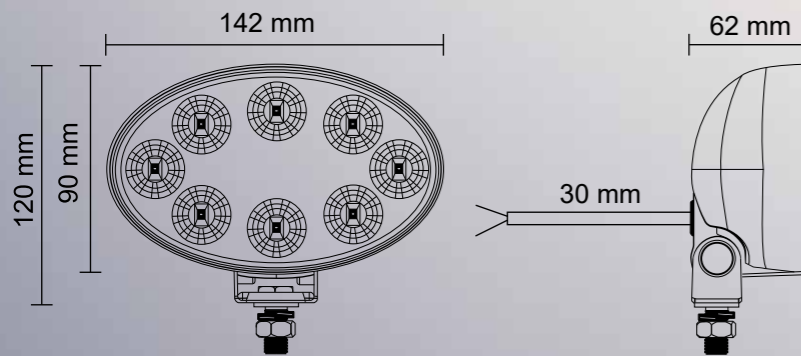
BEAM



Order No. 720073



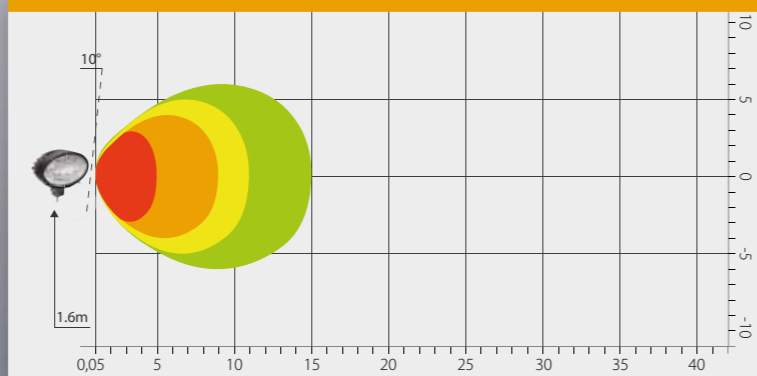
SERIES 2000
1560 LUMENS



PARAMETERS

- » Flood light
- » 8 LEDs, 24 W
- » Aluminium housing (AL)
- » Lens Material: polycarbonate
- » 12 V – 2 A/24 V – 1 A
- » Mounting: nut + M7 screw
- » Cable: 0.35 m

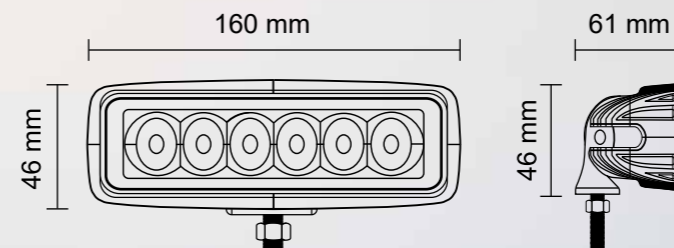
BEAM



Order No. 725691



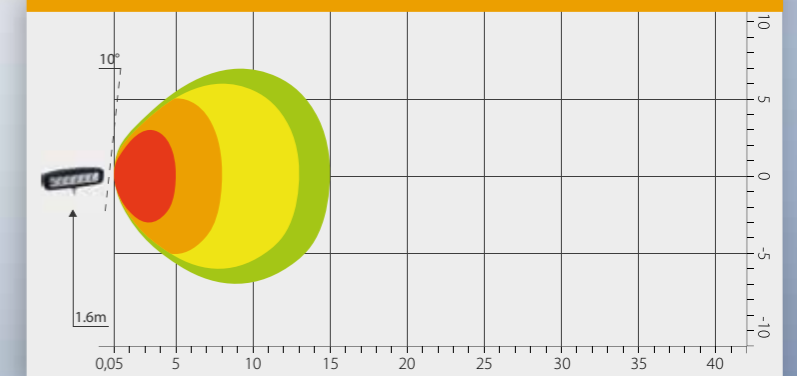
SERIES 2000
1260 LUMENS
OBLONG



PARAMETERS

- » Flood light
- » 6 LEDs, 18 W
- » Aluminium housing (AL)
- » Lens Material: polycarbonate
- » 12 V – 2 A/24 V – 1 A
- » Mounting: nut + M8 screw
- » Cable: 0.35 m

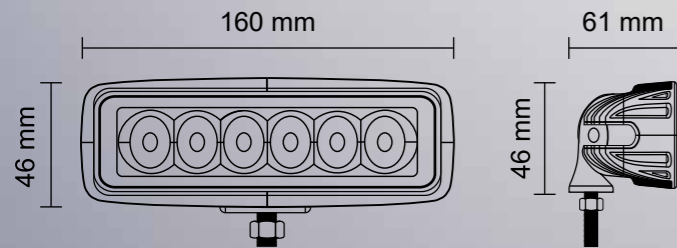
BEAM



Order No. 725689



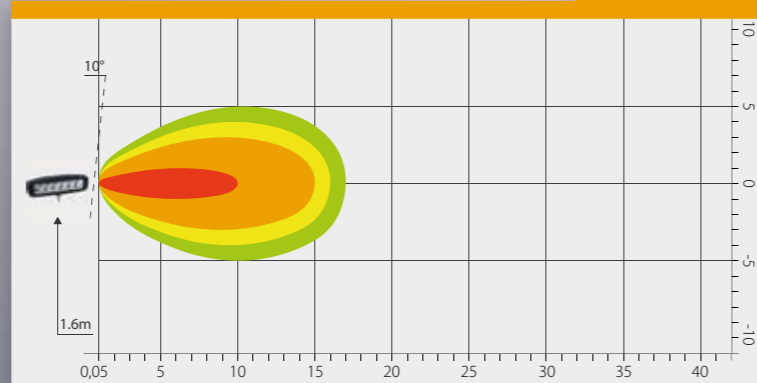
SERIES 2000
1260 LUMENS
OBLONG



PARAMETERS

- » Spot light
- » 6 LEDs, 18 W
- » Aluminium housing (AL)
- » Lens Material: polycarbonate
- » 12 V – 2 A/24 V – 1 A
- » Mounting: nut + M8 screw
- » Cable: 0.35 m

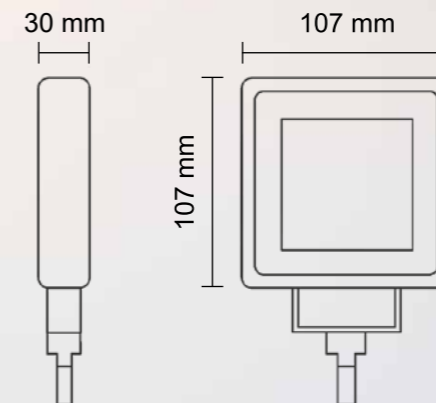
BEAM



Order No. 723629



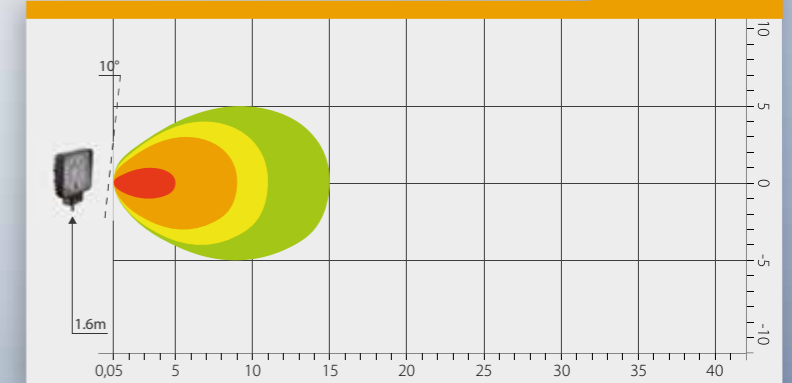
SERIES 2000
650 LUMENS
SQUARE SLIM



PARAMETERS

- » Flood light
- » 9 LEDs, 27 W
- » Aluminium housing (AL)
- » Lens Material: polycarbonate
- » 12 V – 1.7 A/24 V – 0.9 A
- » Mounting: nut + M7 screw
- » Cable: 0.35 m

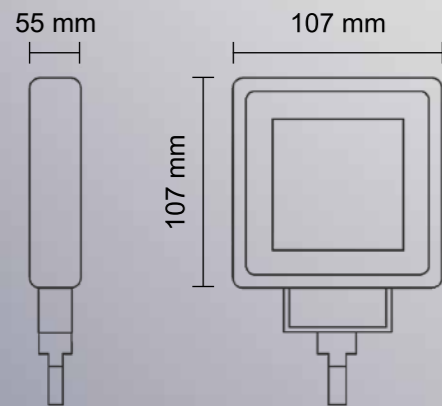
BEAM



Order No. 720169



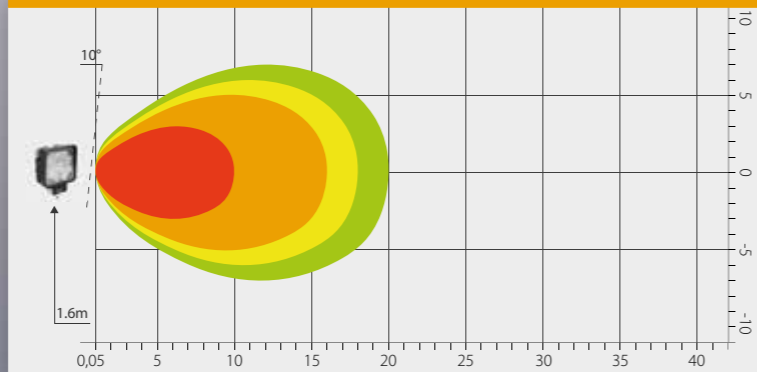
SERIES 2000
1710 LUMENS
SQUARE



PARAMETERS

- » Flood light
- » 9 LEDs, 27 W
- » Aluminium housing (AL)
- » Lens Material: polycarbonate
- » 12 V – 1.7 A/24 V – 0.9 A
- » Mounting: nut + M7 screw
- » Cable: 0.35 m

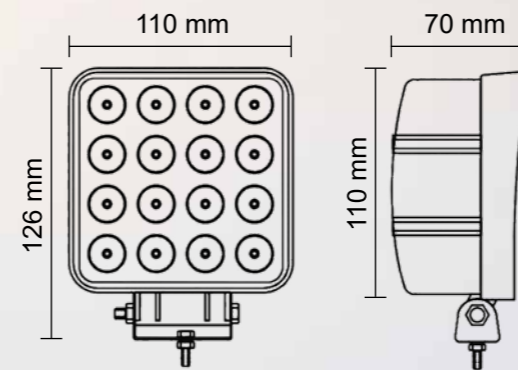
BEAM



Order No. 720168



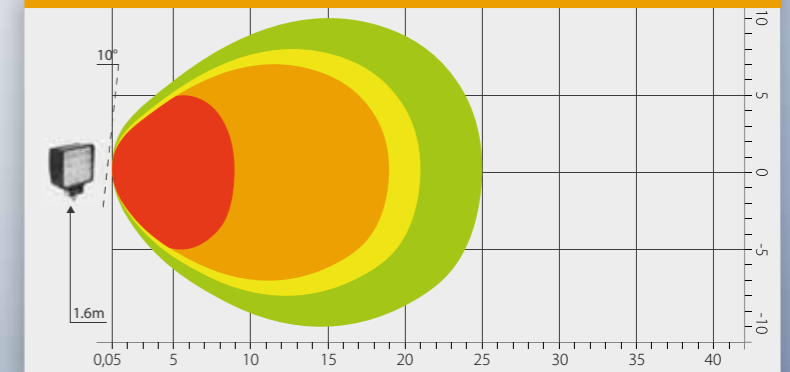
SERIES 2000
3040 LUMENS
SQUARE



PARAMETERS

- » Flood light
- » 16 LEDs, 48 W
- » Aluminium housing (AL)
- » Lens Material: polycarbonate
- » 12 V – 3.8 A/24 V – 1.9 A
- » Mounting: nut + M7 screw
- » Cable: 0.35 m

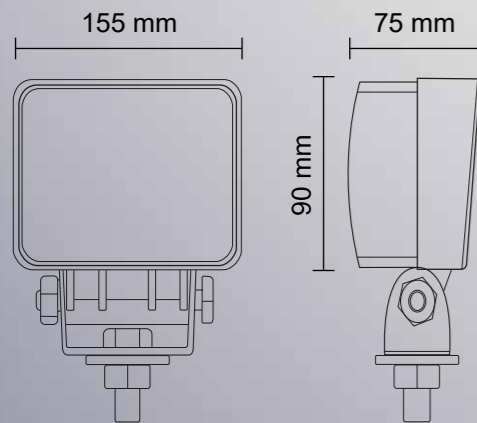
BEAM



Order No. 720170



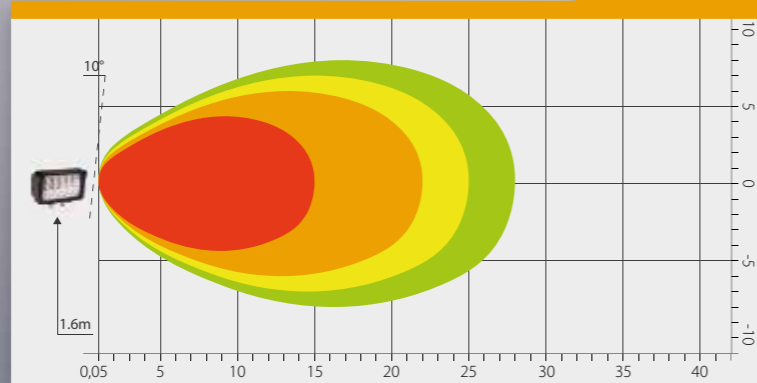
SERIES 2000
3400 LUMENS
OBLONG



PARAMETERS

- » Flood light
- » 15 LEDs, 45 W
- » Aluminium housing (AL)
- » Lens Material: polycarbonate
- » 12 V – 1.7 A/24 V – 0.9 A
- » Mounting: nut + M7 screw
- » Cable: 0.35 m

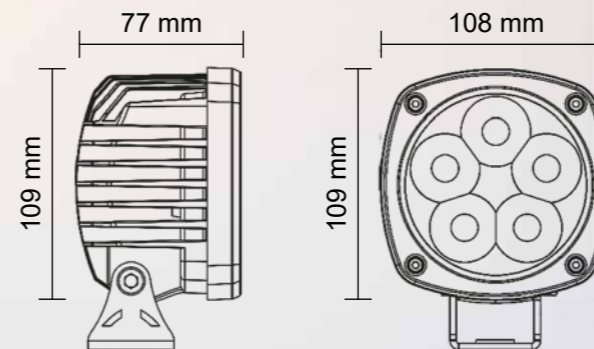
BEAM



Order No. 725649



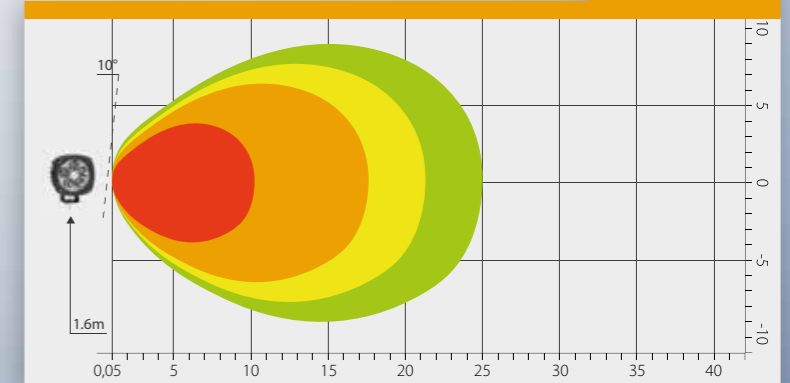
SERIES 2000
2350 LUMENS
SQUARE



PARAMETERS

- » Flood light
- » 5 LEDs, 50 W
- » Aluminium housing (AL)
- » 12 V – 2.9 A/24 V – 1.6 A
- » Lens Material: polycarbonate
- » Mounting: nut + M7 screw
- » Cable: 0.3 m

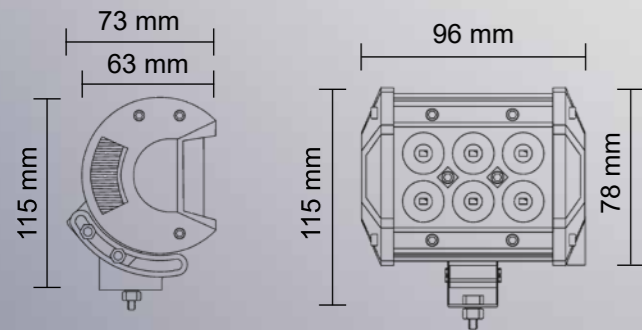
BEAM



Order No. 727471



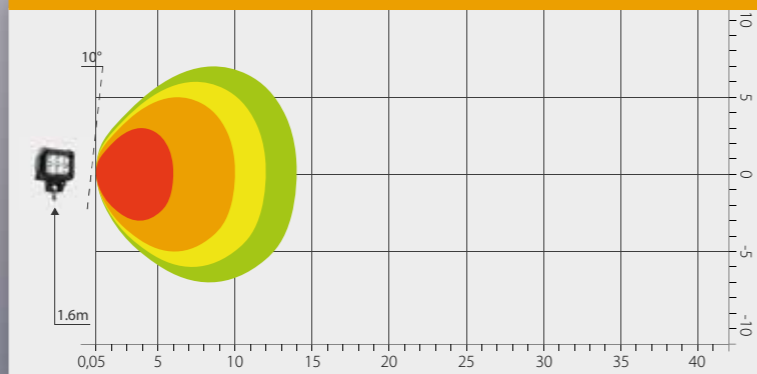
SERIES 2000
1260 LUMENS
OBLONG



PARAMETERS

- » Flood light
- » 6 LEDs, 24 W
- » Length: 96 mm
- » Aluminium housing (AL)
- » Lens Material: polycarbonate
- » Mounting: nut + M8 screw
- » Cable: 0.3 m
- » -40 °C ~ +85 °C

BEAM



L-HARD WORKER

LuminexLine LED work lamps are precisely designed lamps that emit concentrated light where it is needed. Maximum utilisation of each LED results in more light with fewer LEDs. This means lower power consumption and therefore greater savings during operation.

LuminexLine LED work lamps have polycarbonate lenses and compact durable powder-coated housing. The surface is thus highly corrosion-resistant. Thanks to the aluminium housing, the lights can conduct heat from the LED chips much more efficiently, which results in longer life because poorly cooled diodes tend to burn and irretrievably lose their properties.

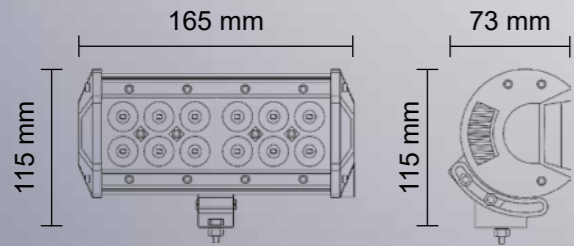
LuminexLine LED work lamps are the right choice for you.



Order No. 725698



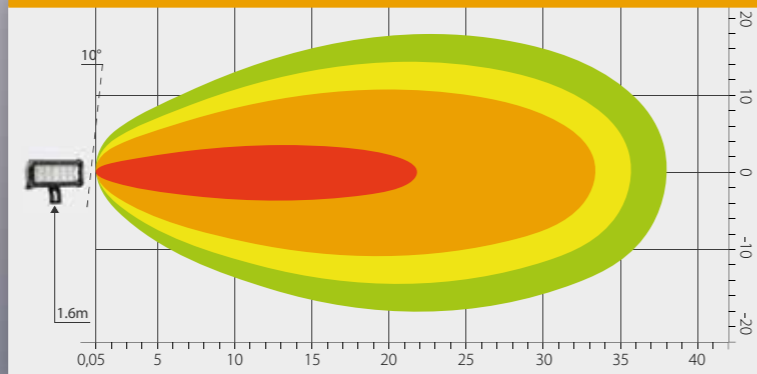
SERIES 2000
2500 LUMENS
OBLONG



PARAMETERS

- » Flood light
- » 12 LEDs, 36W
- » Aluminium housing (AL)
- » 12 V – 1.45 A/24V – 0.65 A
- » Lens Material: polycarbonate
- » Mounting: nut + M7 screw
- » Cable: 0.5 m
- » -40 °C ~ +85 °C

BEAM

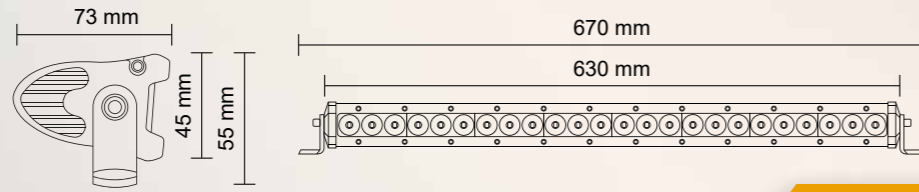


LED WORK LIGHTS



Order No. 725600

LED E IP 67 9-33V

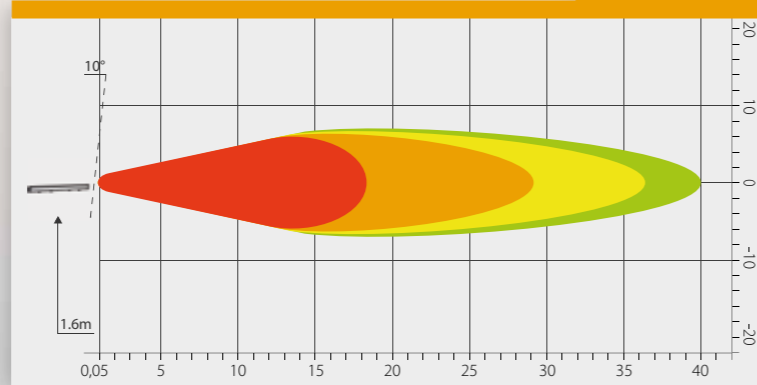


5400 LUMENS

PARAMETERS

- » 24 LEDs, 120 W
- » Length: 630 mm
- » Aluminium housing (AL)
- » Lens Material: polycarbonate
- » 12 V – 5 A/24 V – 2.5 A
- » Mounting: nut + M8 screw
- » Cable: 0.4 m

BEAM

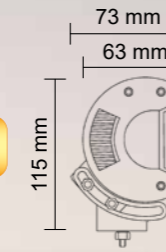


LED WORK LIGHTS



Order No. 725693

LED E IP 67 9-33V

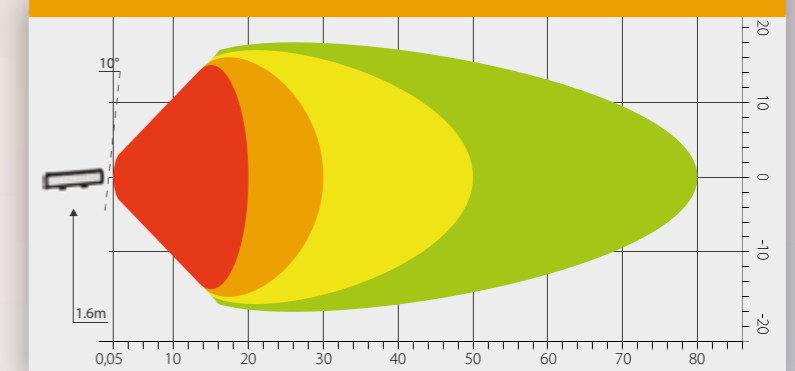
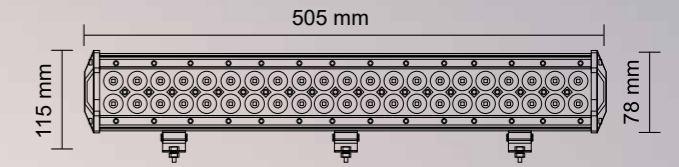


8820 LUMENS

PARAMETERS

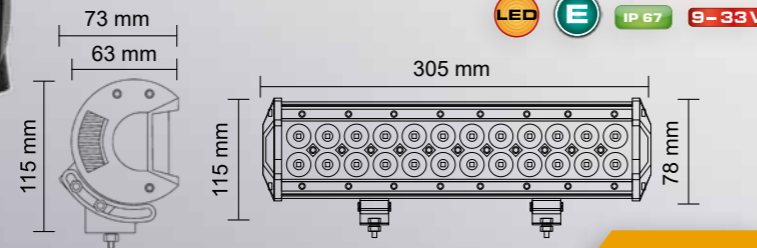
- » 42 LEDs, 126 W
- » Length: 505 mm
- » Aluminium housing (AL)
- » Lens Material: polycarbonate
- » Mounting: nut + M8 screw
- » Cable: 0.5 m
- » -40 °C ~ +85 °C

BEAM



Order No. 725692

LED E IP 67 9-33V

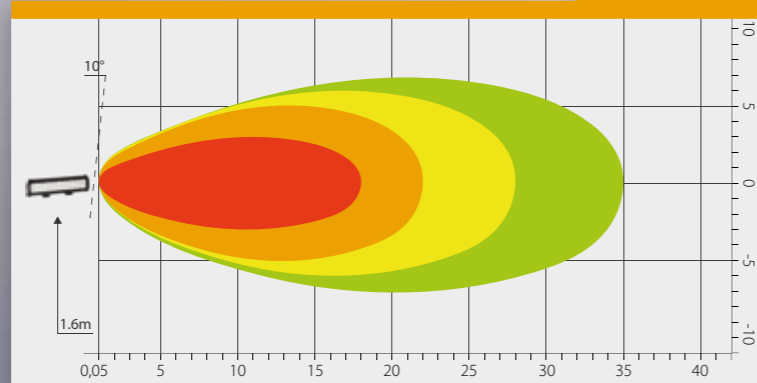


5040 LUMENS

PARAMETERS

- » 24 LEDs, 72 W
- » Length: 305 mm
- » Aluminium housing (AL)
- » Lens Material: polycarbonate
- » Mounting: nut + M8 screw
- » Cable: 0.3 m
- » -40 °C ~ +85 °C

BEAM



Order No. 725694

LED E IP 67 9-33V

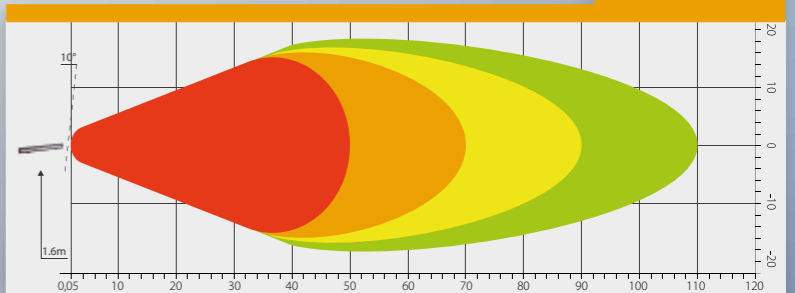
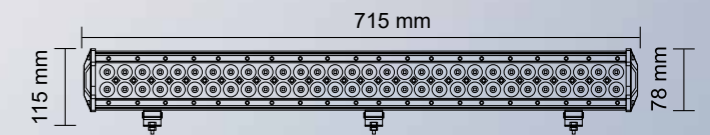


12600 LUMENS

PARAMETERS

- » 60 LEDs, 180 W
- » Length: 715 mm
- » Aluminium housing (AL)
- » Lens Material: polycarbonate
- » Mounting: nut + M8 screw
- » Cable: 0.6 m
- » -40 °C ~ +85 °C

BEAM



LED WORK LIGHTS

Order No. 725696



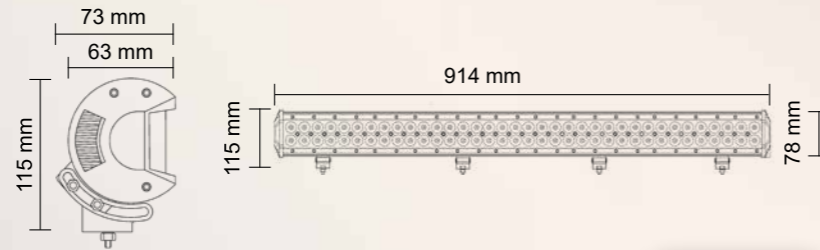
LED E IP 67 9-33V



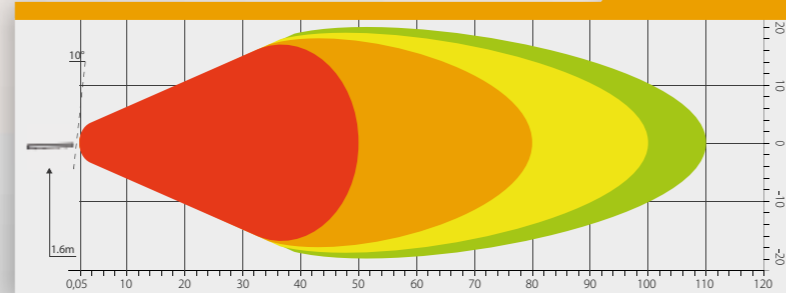
15210 LUMENS

PARAMETERS

- » 78 LEDs, 234 W
- » Length: 914 mm
- » Aluminium housing (AL)
- » Lens Material: polycarbonate
- » Mounting: nut + M8 screw
- » Cable: 0.3 m
- » -40 °C ~ +85 °C



BEAM

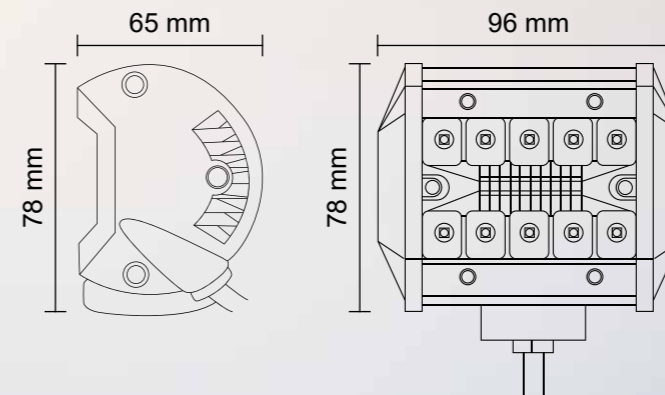


LED WORK LIGHTS

Order No. 729926

LED E IP 67 9-32V

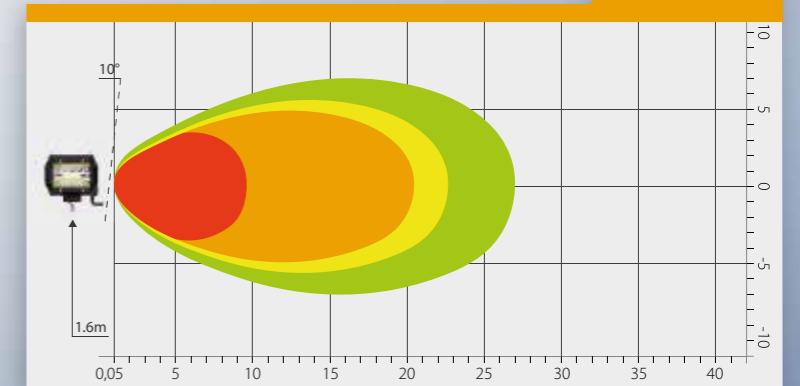
SERIES COMBO 1800 LUMENS



PARAMETERS

- » Light beam: combination (spot, flood)
- » 20 LEDs, 60 W
- » Aluminium housing (AL)
- » Lens Material: polycarbonate
- » 12 V – 1.3 A / 24 V – 0.65 A
- » Mounting: nut + M7 screw
- » Cable: 0.25 m

BEAM

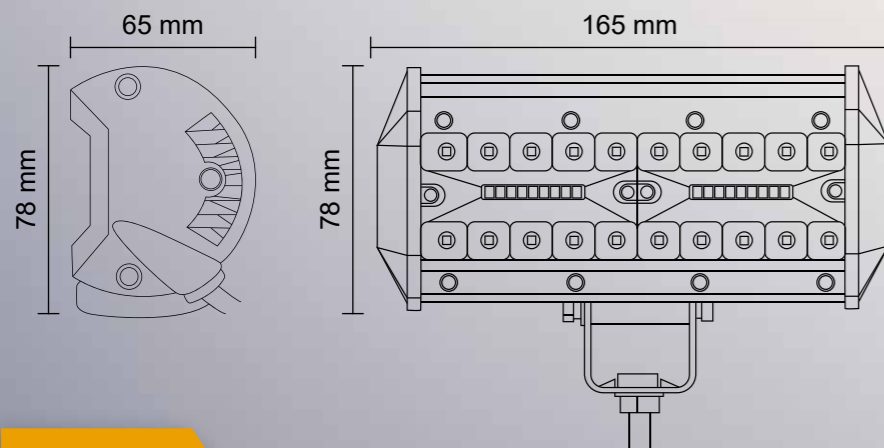


Order No. 729927



SERIES COMBO

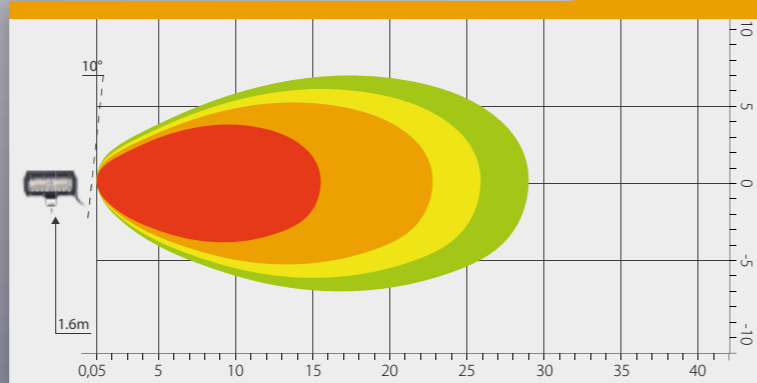
3600 LUMENS



PARAMETERS

- » Light beam: combination (spot, flood)
- » 40 LEDs, 120 W
- » Aluminium housing (AL)
- » Lens Material: polycarbonate
- » 12 V – 2.5 A/24 V – 1.25 A
- » Mounting: nut + M7 screw
- » Cable: 0.25 m

BEAM

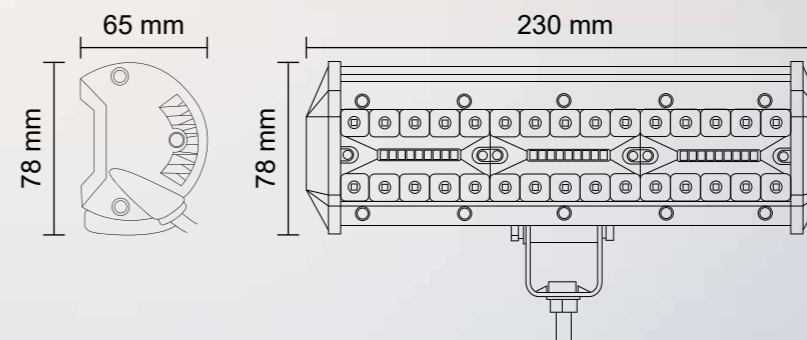


Order No. 729928



SERIES COMBO

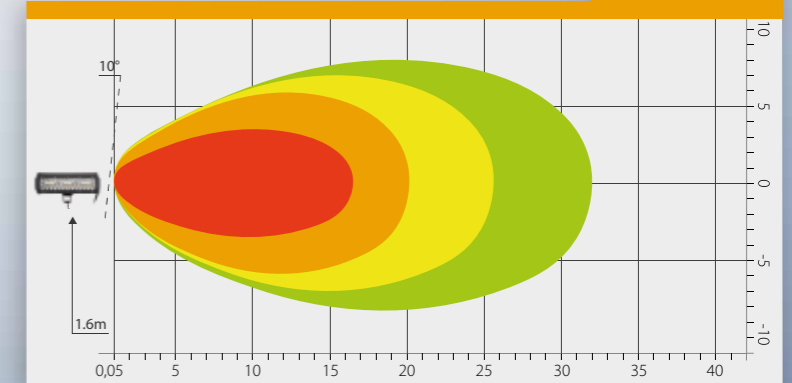
5400 LUMENS



PARAMETERS

- » Light beam: combination (spot, flood)
- » 60 LEDs, 180 W
- » Aluminium housing (AL)
- » Lens Material: polycarbonate
- » 12 V – 3.6 A/24 V – 1.8 A
- » Mounting: nut + M7 screw
- » Cable: 0.25 m

BEAM

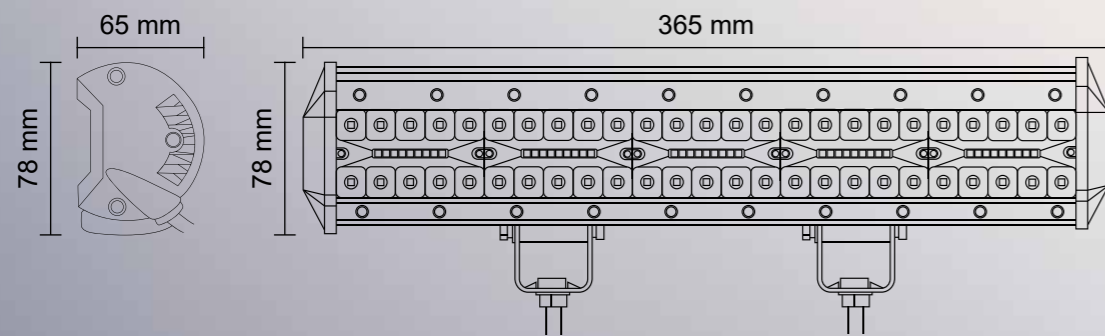


Order No. 729929



SERIES COMBO

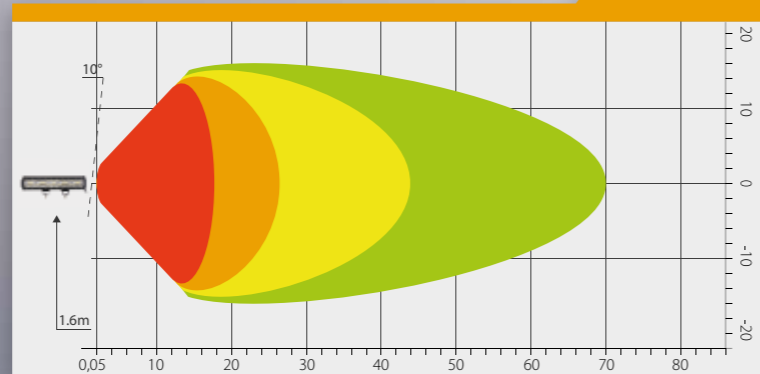
9000 LUMENS



PARAMETERS

- » Light beam: combination (spot, flood)
- » 100 LEDs, 300 W
- » Aluminium housing (AL)
- » Lens Material: polycarbonate
- » 12 V – 6 A/24 V – 3 A
- » Mounting: nut + M7 screw
- » Cable: 0.25 m

BEAM

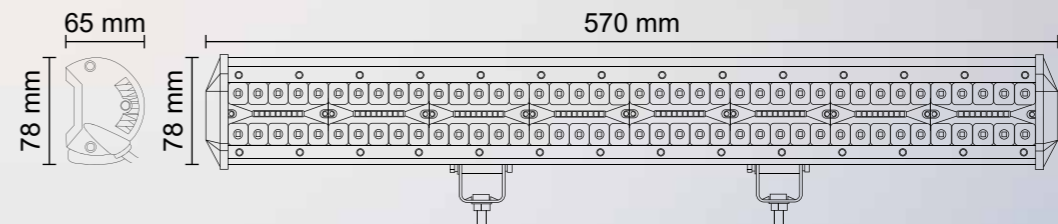


Order No. 729930



SERIES COMBO

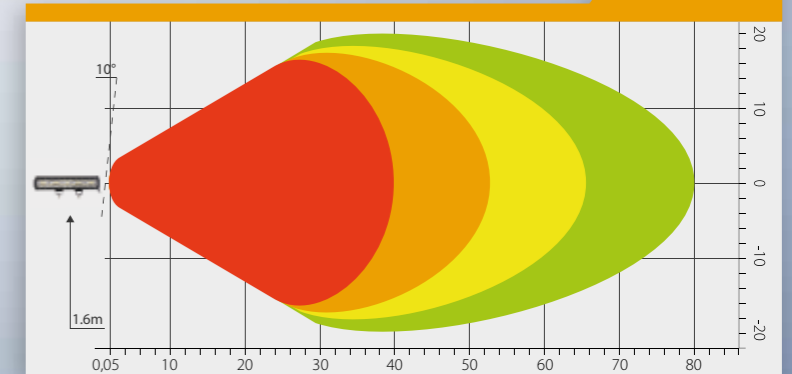
14400 LUMENS



PARAMETERS

- » Light beam: combination (spot, flood)
- » 160 LEDs, 480 W
- » Aluminium housing (AL)
- » Lens Material: polycarbonate
- » 12 V – 8.8 A/24 V – 4.4 A
- » Mounting: nut + M7 screw
- » Cable: 0.25 m

BEAM

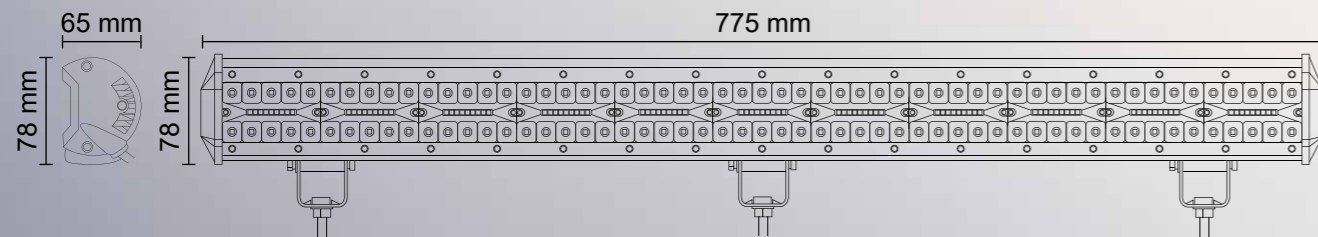


Order No. 729931



SERIES COMBO

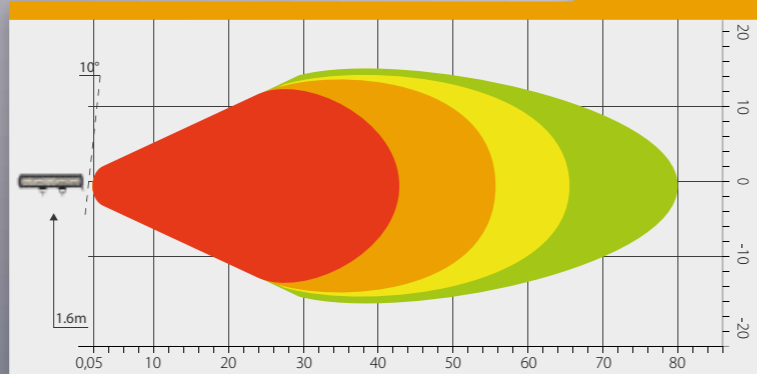
17820 LUMENS



PARAMETERS

- » Light beam: combination (spot, flood)
- » 220 LEDs, 660 W
- » Aluminium housing (AL)
- » Lens Material: polycarbonate
- » 12 V – 11.5 A/24 V – 5.75 A
- » Mounting: nut + M7 screw
- » Cable: 0.25 m

BEAM

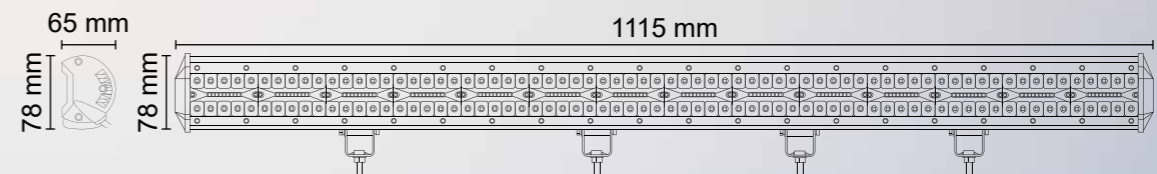


Order No. 729932



SERIES COMBO

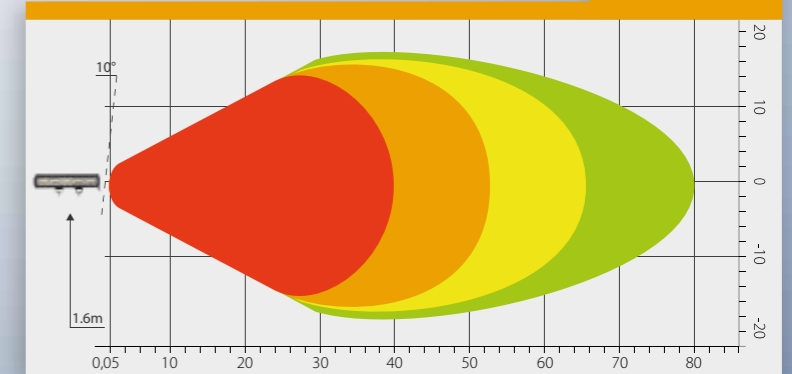
25920 LUMENS



PARAMETERS

- » Light beam: combination (spot, flood)
- » 320 LEDs, 960 W
- » Aluminium housing (AL)
- » Lens Material: polycarbonate
- » 12 V – 13 A/24 V – 6.5 A
- » Mounting: nut + M7 screw
- » Cable: 0.25 m

BEAM



LED WORK LIGHTS

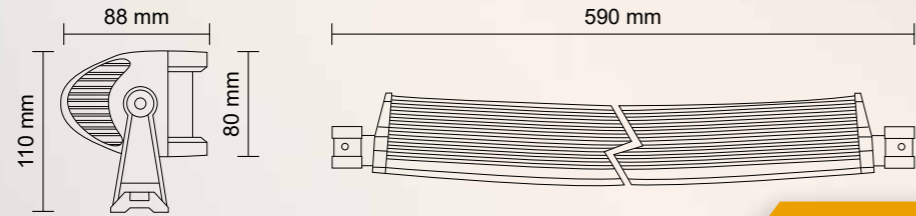


Order No. 725340

LED E IP 67 9-32V



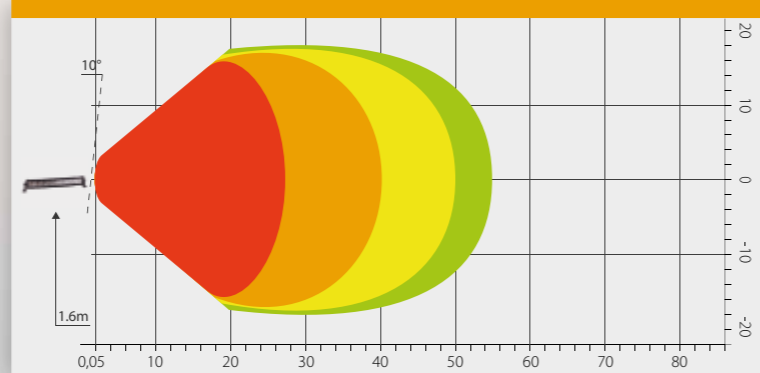
6600 LUMENS



PARAMETERS

- » 40 LEDs, 120 W
- » Length: 590 mm
- » Colour: cold white
- » Light beam: combination (spot + flood)
- » Aluminium housing (AL)
- » Lens Material: polycarbonate
- » Mounting: nut + M8 screw
- » Cable: 0.4 m

BEAM



LED WORK LIGHTS

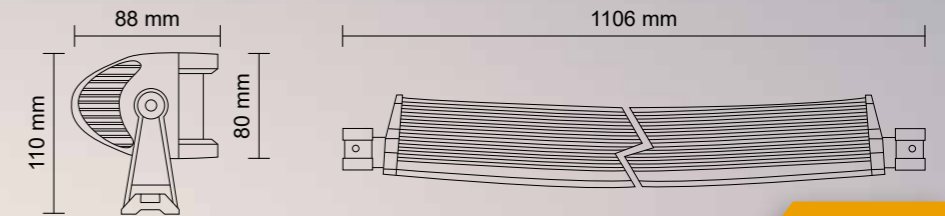


Order No. 725342

LED E IP 67 9-32V



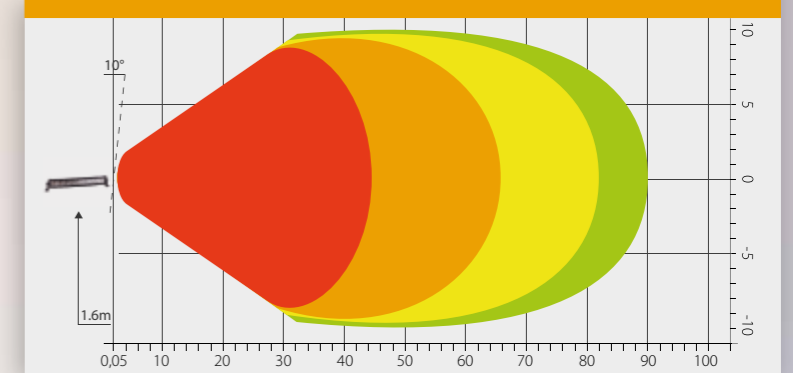
13200 LUMENS



PARAMETERS

- » 80 LEDs, 240 W
- » Length: 1106 mm
- » Colour: cold white
- » Lightbeam: combination (spot + flood)
- » Aluminium housing (AL)
- » Lens Material: polycarbonate
- » Mounting: nut + M8 screw
- » Cable: 0.4 m

BEAM

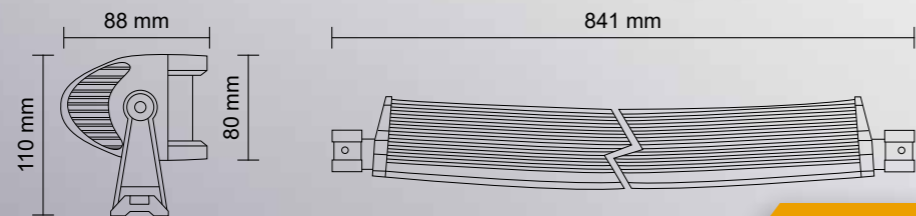


Order No. 725341

LED E IP 67 9-32V



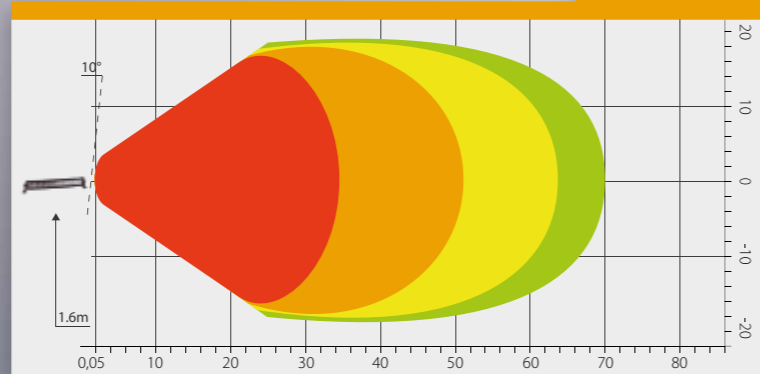
9900 LUMENS



PARAMETERS

- » 60 LEDs, 180 W
- » Length: 841 mm
- » Colour: cold white
- » Light beam: combination (spot + flood)
- » Aluminium housing (AL)
- » Lens Material: polycarbonate
- » Mounting: nut + M8 screw
- » Cable: 0.4 m

BEAM

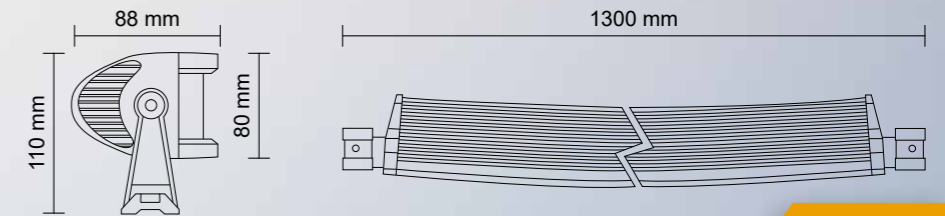


Order No. 725343

LED E IP 67 9-32V



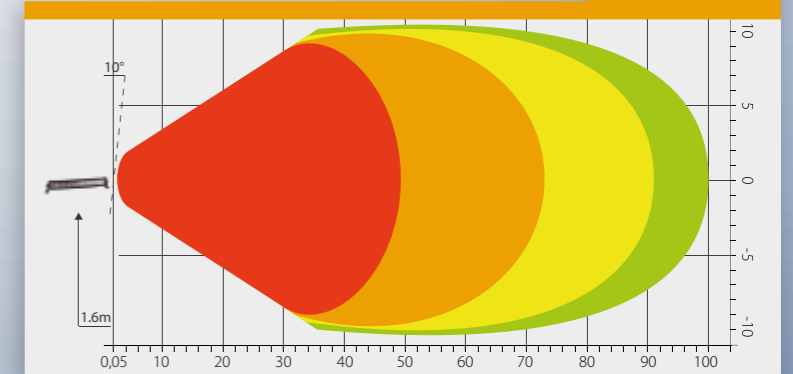
15840 LUMENS



PARAMETERS

- » 96 LEDs, 288 W
- » Length: 1300 mm
- » Colour: cold white
- » Light beam: combination (spot + flood)
- » Aluminium housing (AL)
- » Lens Material: polycarbonate
- » Mounting: nut + M8 screw
- » Cable: 0.4 m

BEAM



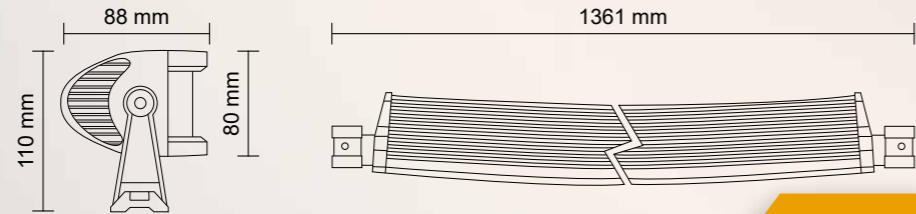
LED WORK LIGHTS

Order No. 725344

LED E IP 67 9-32V



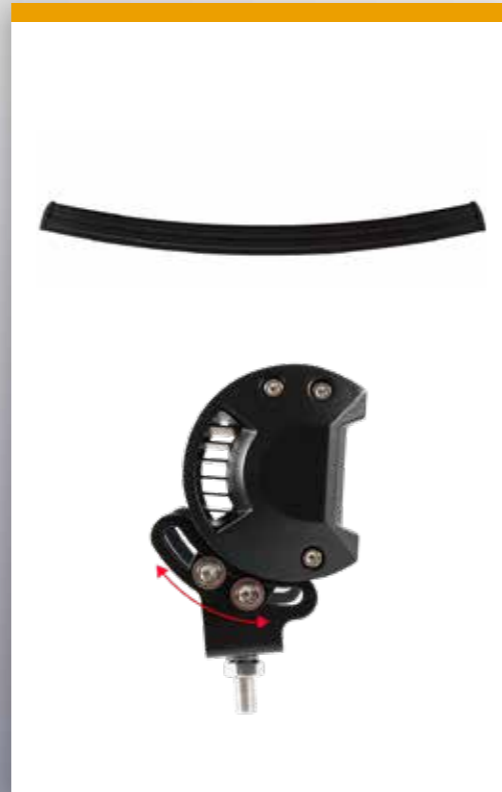
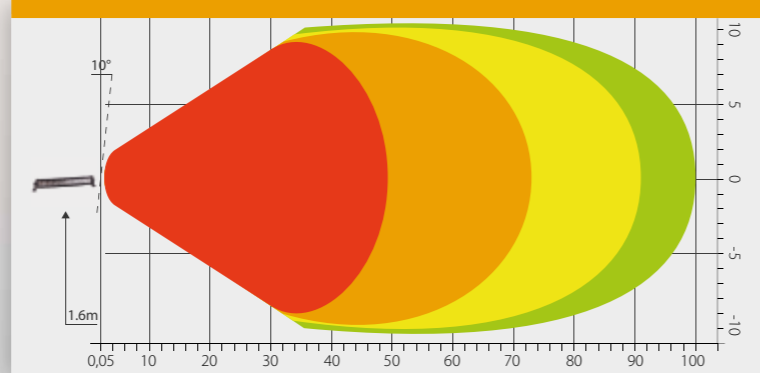
16500 LUMENS



PARAMETERS

- » 100 LEDs, 300 W
- » Length: 1361 mm
- » Colour: cold white
- » Light beam: combination (spot + flood)
- » Aluminium housing (AL)
- » Lens Material: polycarbonate
- » Mounting: nut + M8 screw
- » Cable: 0.4 m

BEAM



LUMINEX[®]

LED WORK LIGHTS

Order No. 728272

LED IP 65 9-33V

RECHARGEABLE WORK LAMP AND ADR LIGHT

650 LUMENS

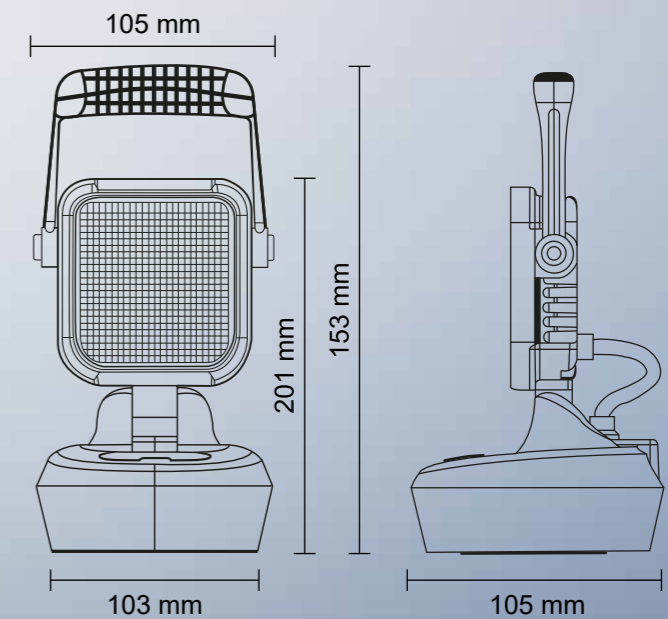
A great help for all vehicle owners, truck and car drivers. Ideal for handling problems at night.

Lamp has strong magnet which helps to place it in any position so you can comfortably deal with the defect. The rechargeable light has two colours, white and orange, which can be used for ADR purposes. The light has four lighting modes. The rechargeable lithium battery can last up to 4 hours.



PARAMETERS

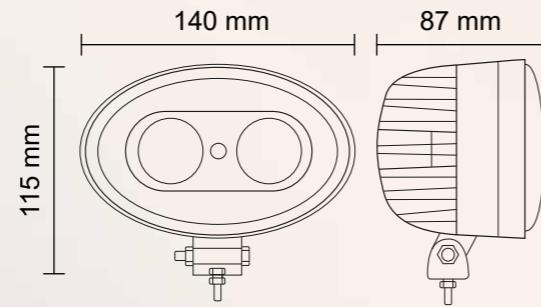
- » 9 LEDs, 9 W
- » Mounting: magnet
- » Aluminium plate
- » Aluminium housing (AL)
- » ON/OFF switch
- » Cigarette lighter plug and 220 V adapter
- » Charging time 4 hours
- » Battery life during intensive lighting up to 4 hours



LUMINEX[®]

PROTECTOR 2000 800 LUMENS

Order No. 725688



The blue light is used on forklifts on industrial premises. The light illuminates the area in front of the forklift. It clearly warns everybody that a working machine is approaching, thus preventing avoidable injuries.

It emits intensive blue LED light focused into a round point. The blue point is set at a sufficient distance from the machine towards the floor. This is an ingenious and very effective warning method.

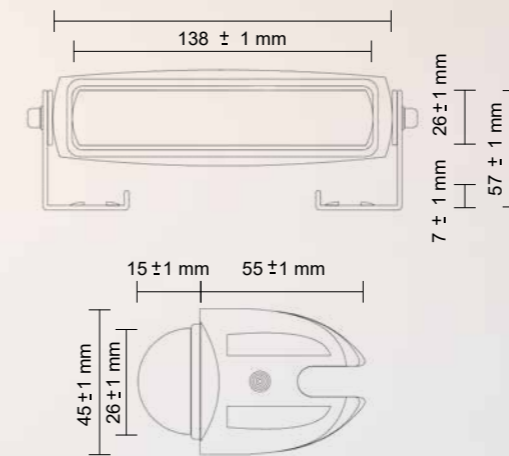
PARAMETERS

- » Blue light
- » Light: spot light
- » 2 LEDs
- » Very intensive light
- » Aluminium housing (AL)
- » Lens Material: polycarbonate
- » Mounting: nut + M7 screw
- » Cable: 0.35 m
- » Temperature: -30 °C ~ +60 °C



PROTECTOR 2000 660 LUMENS

Order No. 725658



The red light is used on forklifts on industrial premises. The light illuminates the area along the forklift to define the path of its travel. It is also suitable for winter maintenance, where the light can define the gritter blade travel path. In low visibility, the gritter driver can more easily determine where the blade is reaching and where the line is still safe. It emits intensive red LED light focused onto a 1 metre line.

PARAMETERS

- » Red light
- » Light: line
- » 6 LEDs
- » Very intensive light
- » Aluminium housing (AL)
- » Lens Material: polycarbonate
- » Mounting: nut + M7 screw
- » Cable: 0.35 m
- » Temperature: -30 °C ~ +60 °C



LED *LIGHT BARS*



HURRICANE 2000

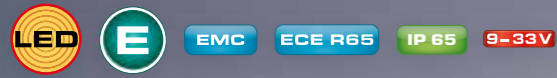
HURRICANE 2000 LED light bars fall under the SLIM category. They are available in various lengths from 852 mm to 1812 mm. Designed and produced to the highest standards for maximum performance. The LEDs are fitted around the entire perimeter. Up to 162 LEDs ensure very strong luminosity that can be controlled by means of a sophisticated control panel. The panel is located in the driver's cabin. Simple operations on the control panel regulate the intensity and select from up to 29 light modes.

The sturdily designed HURRICANE 2000 is the pride of each fleet.



LUMINEX[®]
line

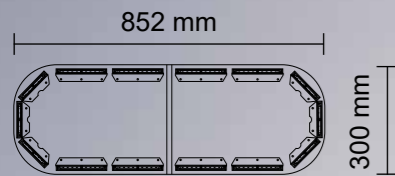
LED LIGHT BARS



Order No. 726101

HURRICANE 2000

852 mm



PARAMETERS

- » 108 LEDs
- » Each diode 3 W
- » 29 light modes
- » Aluminium base (AL)
- » Case: polycarbonate
- » Fixed assembly



CONTROL PANEL

- » Mounting: suction cup
- » Light mode selection, flash frequency
- » Flash intensity selection
- » LED indicator of currently selected mode



LUMINEX
line

LED LIGHT BARS



Order No. 726102

HURRICANE 2000

1 172 mm



PARAMETERS

- » 144 LEDs
- » Each diode 3 W
- » 29 light modes
- » Aluminium base (AL)
- » Case: polycarbonate
- » Fixed assembly



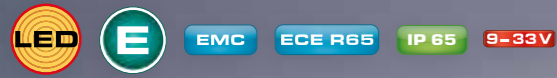
CONTROL PANEL

- » Mounting: suction cup
- » Light mode and flash frequency selection
- » Flash intensity selection
- » LED indicator of currently selected mode



LUMINEX
line

LED LIGHT BARS



Order No. 726103

HURRICANE 2000

1492 mm



PARAMETERS

- » 144 LEDs
- » Each diode 3 W
- » 29 light modes
- » Aluminium base (AL)
- » Case: polycarbonate
- » Fixed assembly



CONTROL PANEL

- » Mounting: suction cup
- » Light mode selection, flash frequency
- » Flash intensity selection
- » LED indicator of currently selected mode



LED LIGHT BARS



Order No. 726105

HURRICANE 2000

1812 mm



PARAMETERS

- » 162 LEDs
- » Each diode 3 W
- » 29 light modes
- » Aluminium base (AL)
- » Case: polycarbonate
- » Fixed assembly



CONTROL PANEL

- » Mounting: suction cup
- » Light mode selection, flash frequency
- » Flash intensity selection
- » LED indicator of currently selected mode



Order No. 727487

**Control panel
for LED light bars
HURRICANE 2000**



Order No. 726111

**DESIGN 2000
440 mm**

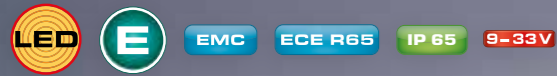


PARAMETERS

- » 44 LEDs
- » Each diode 3 W
- » 8 light modes
- » Fixed assembly with two screws
- » Aluminium base (AL)
- » Case: polycarbonate
- » Cable: 0.3 m
- » -30 °C ~ +60 °C



LED LIGHT BARS



Order No. 726110

DESIGN 2000

440 mm



PARAMETERS

- » 44 LEDs
- » Each diode 3 W
- » 8 light modes. Selected on the cigarette lighter socket
- » Magnetic holder
- » Aluminium base (AL)
- » Case: polycarbonate
- » Cable: 3 m with cigarette lighter plug
- » -30 °C ~ +60 °C



LUMINEX
line

LED LIGHT BARS



Order No. 726120

DESIGN 2000

420 mm



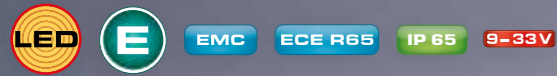
PARAMETERS

- » 30 LEDs
- » Each diode 3 W
- » 26 light modes. Selected on the cigarette lighter socket
- » Magnetic holder
- » Plastic base
- » Case: polycarbonate
- » Cable: 3 m with cigarette lighter plug
- » -30 °C ~ +50 °C



LUMINEX
line

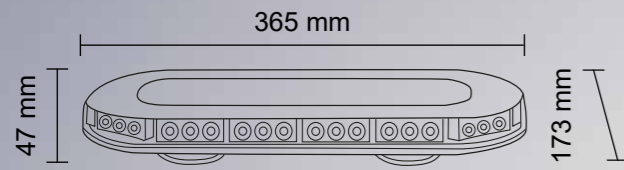
LED LIGHT BARS



Order No. 726121

DESIGN 2000

365 mm



PARAMETERS

- » 42 LEDs
- » Each diode 3 W
- » 26 light modes. Selected on the cigarette lighter socket
- » Magnetic holder
- » Plastic base
- » Case: polycarbonate
- » Cable: 3 m with cigarette lighter plug
- » -30 °C ~ +50 °C



LUMINEX
line

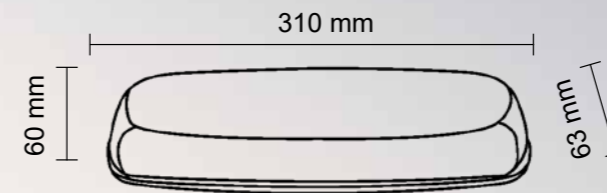
LED LIGHT BARS



Order No. 726129

DESIGN 2000

310 mm



PARAMETERS

- » 72 LEDs
- » Each diode 3 W
- » 8 light modes. Selected on the cigarette lighter socket
- » Magnetic holder
- » Aluminium base (AL)
- » Case: polycarbonate
- » Cable: 3 m with cigarette lighter plug
- » -30 °C ~ +60 °C



LUMINEX
line

LED *ROTATING BEACONS*

LUMINEX[®]
line

LED ROTATING BEACONS

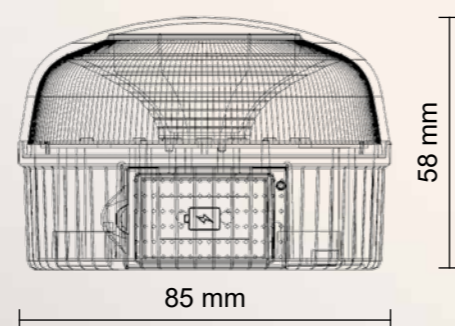
Order No. 729998

L-EMERGENCY

BEACON

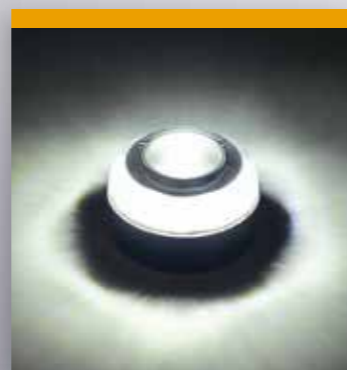
BATTERY-POWERED

MAGNETIC



PARAMETERS

- » 12 LEDs, 1x 9 V battery
- » V16 certification – emergency light
- » Battery life: up to 8 hours on a single charge
- » Light mode switching: flashing or rotating
- » 2 light modes: 360° white or flashing orange light
- » Fastening: magnet
- » -30 °C ~ +50 °C



LED ROTATING BEACONS



LED ROTATING BEACONS



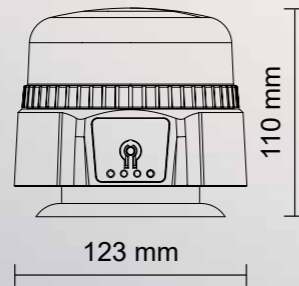
Order No. 729911

L-POWER II **BEACON** **RECHARGEABLE** **MAGNETIC**



PARAMETERS

- » 36 LEDs
- » Light mode switching: 2 types of flash
- » Built-in 8800 mA battery
- » Charging: USB cable
- » Battery life: up to 8 hours on a single charge
- » Battery power indicator
- » Fastening: magnet
- » -30 °C ~ +50 °C



Order No. 729912

L-POWER II

Beacon lens



LED ROTATING BEACONS



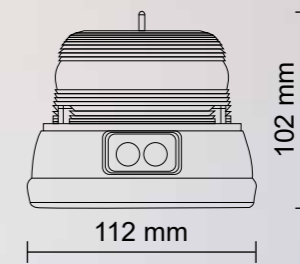
Order No. 729902

L-POWER **BEACON** **BATTERY-POWERED** **MAGNETIC**



PARAMETERS

- » 16 LEDs, 2 × 9 V battery
- » Light mode switching: flashing or rotating
- » Battery life: up to 280 hours on a single charge
- » Fastening: magnet
- » Photocell: automatic ON/OFF



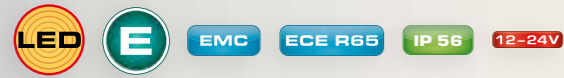
Order No. 729913

L-POWER

Beacon lens



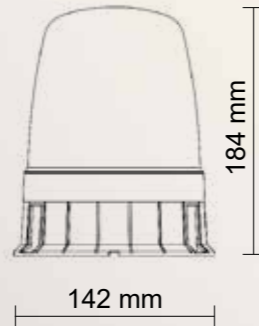
LED ROTATING BEACONS



L-GIANT

PARAMETERS

- » 16 LEDs, 48 W
- » Mounting: screws
- » Light mode switching: 3 types of flash
- » -30 °C ~ +50 °C



Order No. 729973

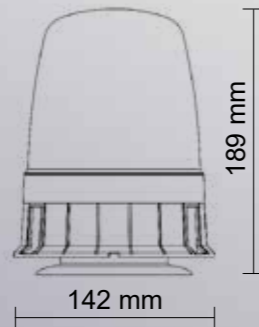
Rotating Beacon – fixed



L-GIANT

PARAMETERS

- » 16 LEDs, 48 W
- » Mounting: magnet
- » Light mode switching: 3 types of flash
- » Cable: 2.5 m
- » -30 °C ~ +50 °C



Order No. 729961

Rotating Beacon – magnetic



Order No. 729962

L-GIANT

Beacon lens

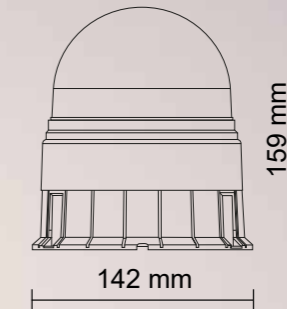
LED ROTATING BEACONS



L-BEAM

PARAMETERS

- » 39 LEDs, 19 W
- » Mounting: 3 screws
- » Light mode switching: 3 types of flash
- » -30 °C ~ +50 °C



Order No. 727472

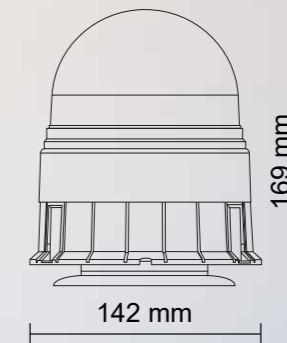
Rotating Beacon – fixed



L-BEAM

PARAMETERS

- » 39 LEDs, 19 W
- » Mounting: magnet
- » Light mode switching: 3 types of flash
- » Cable: 2.5 m
- » -30 °C ~ +50 °C



Order No. 727460

Rotating Beacon – magnetic



Order No. 727482

L-BEAM

Beacon lens

Beacon switch module 727472 and 727460

Left – double flash
Right – single flash



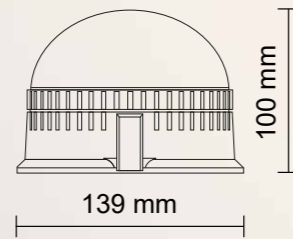
LED ROTATING BEACONS



L-FLASH II

PARAMETERS

- » 36 LEDs, 19 W
- » Mounting: 3 screws
- » Light mode switching: flashing or rotating
- » 3 light modes: three kinds of flash
- » -30 °C ~ +50 °C



Rotating Beacon – fixed



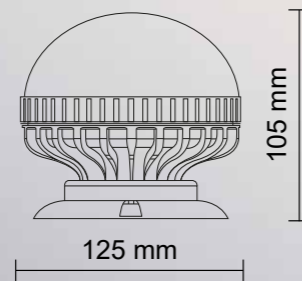
Order No. 727476



L-FLASH II

PARAMETERS

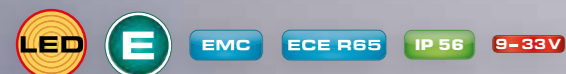
- » 36 LEDs, 19 W
- » Mounting: magnet
- » Light mode switching: flashing or rotating
- » 3 light modes: three kinds of flash
- » Cable: 2.5 m
- » -30 °C ~ +50 °C



Rotating Beacon – magnetic



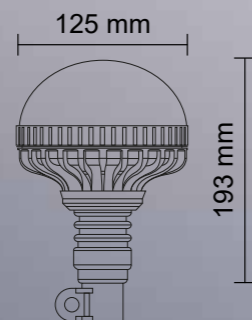
Order No. 727475



L-FLASH II

PARAMETERS

- » 36 LEDs, 19 W
- » Mounting: bar, adaptable
- » Light mode switching: flashing or rotating
- » 3 light modes: three kinds of flash
- » -30 °C ~ +50 °C



Rotating Beacon – flexible pipe mount



Order No. 727474

LED ROTATING BEACONS



Order No. 727484

L-FLASH II

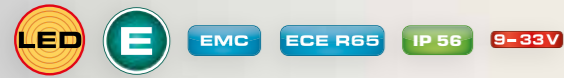
Beacon lens

Beacon switch module



- 3 – double flash
- 2 – single flash
- 1 – rotating

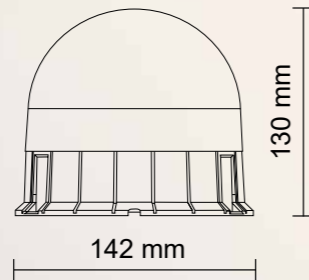
LED ROTATING BEACONS



L-FLASH I

PARAMETERS

- » 8 LEDs, 24 W
- » Mounting: 3 screws
- » Light mode switching: flashing or rotating
- » 3 light modes: 360° rotating, two kinds of flash
- » -30 °C ~ +50 °C



Rotating Beacon – fixed



Order No. 727450

LED ROTATING BEACONS

Order No. 727447

L-FLASH I

Beacon lens



Beacon switch module



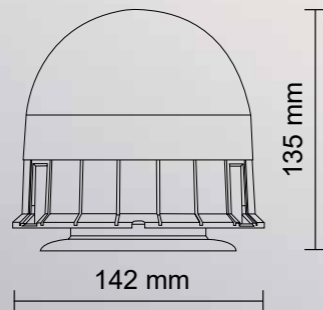
- 3 – double flash
- 2 – single flash
- 1 – rotating



L-FLASH I

PARAMETERS

- » 8 LEDs, 24 W
- » Mounting: magnet
- » Light mode switching: flashing or rotating
- » 3 light modes: 360° rotating, two kinds of flash
- » Cable: 2.5 m
- » -30 °C ~ +50 °C



Rotating Beacon – magnetic



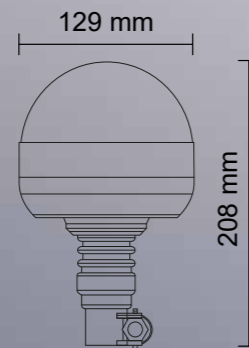
Order No. 727446



L-FLASH I

PARAMETERS

- » 8 LEDs, 24 W
- » Mounting: flexible pipe mount
- » Light mode switching: flashing or rotating
- » 3 light modes: 360° rotating, two kinds of flash
- » -30 °C ~ +50 °C



Rotating Beacon – flexible pipe mount



Order No. 727445

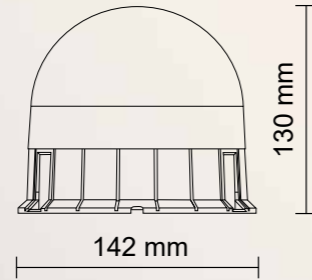
LED ROTATING BEACONS



L-MINI-FLASH

PARAMETERS

- » 60 LEDs, 15 W
- » Mounting: 3 screws
- » Light mode switching: flashing or rotating
- » 3 light modes: 360° rotating, two kinds of flash
- » -30 °C ~ +50 °C



Order No. 727458

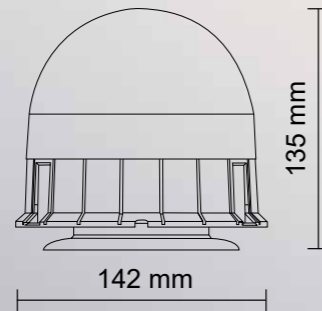
Rotating Beacon – fixed



L-MINI-FLASH

PARAMETERS

- » 60 LEDs, 15 W
- » Mounting: magnet
- » Light mode switching: flashing or rotating
- » 3 light modes: 360° rotating, two kinds of flash
- » Cable: 2.5 m
- » -30 °C ~ +50 °C



Order No. 727459

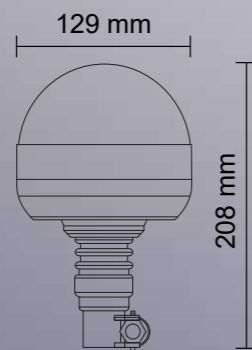
Rotating Beacon – magnetic



L-MINI-FLASH

PARAMETERS

- » 60 LEDs, 15 W
- » Mounting: flexible pipe mount
- » Light mode switching: flashing or rotating
- » 3 light modes: 360° rotating, two kinds of flash
- » -30 °C ~ +50 °C



Order No. 727463

Rotating Beacon – flexible pipe mount



LED ROTATING BEACONS



Order No. 727447

L-MINI-FLASH

Beacon lens

Beacon switch module



- 3 – double flash
- 2 – single flash
- 1 – rotating

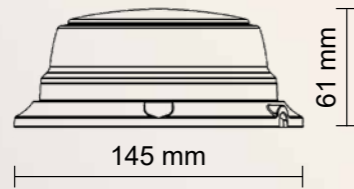
LED ROTATING BEACONS



L-UFO III

PARAMETERS

- » 8 LEDs, 24 W
- » Mounting: 3 screws
- » Light mode switching: flashing or rotating
- » 4 light modes: flashing or rotating
- » -30 °C ~ +60 °C



Order No. 729901

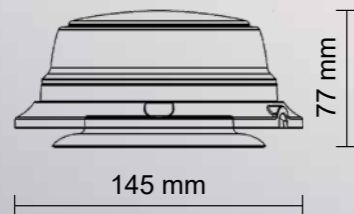
Rotating Beacon – fixed



L-UFO III

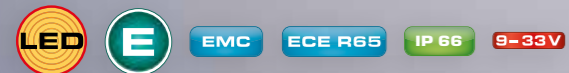
PARAMETERS

- » 8 LEDs, 24 W
- » Mounting: magnet
- » Light mode switching: flashing or rotating
- » 4 light modes: flashing or rotating
- » Cable: 3.1 m
- » -30 °C ~ +60 °C



Order No. 729903

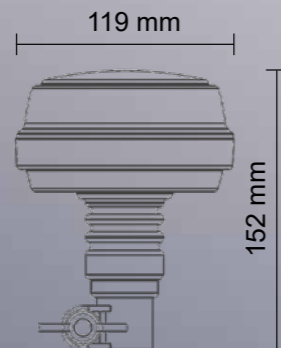
Rotating Beacon – magnetic



L-UFO III

PARAMETERS

- » 8 LEDs, 24 W
- » Mounting: flexible pipe mount
- » Light mode switching: flashing or rotating
- » 4 light modes: flashing or rotating
- » -30 °C ~ +60 °C



Order No. 729906

Rotating Beacon – flexible pipe mount

LED ROTATING BEACONS



Order No. 729908

L-UFO III

Beacon lens

Beacon switch module



- 3 – double flash
- 2 – single flash
- 1 – rotating

LED ROTATING BEACONS



L-UFO II

PARAMETERS

- » 18 LEDs, 27 W
- » Mounting: fixed by three screws or magnet
- » Light mode switching: flashing or rotating
- » 7 light modes: 360° rotating, flashes selected on cigarette lighter socket
- » Cable: 3.1 m
- » -30 °C ~ +60 °C



Order No. 723655

Rotating Beacon – fixed and magnet

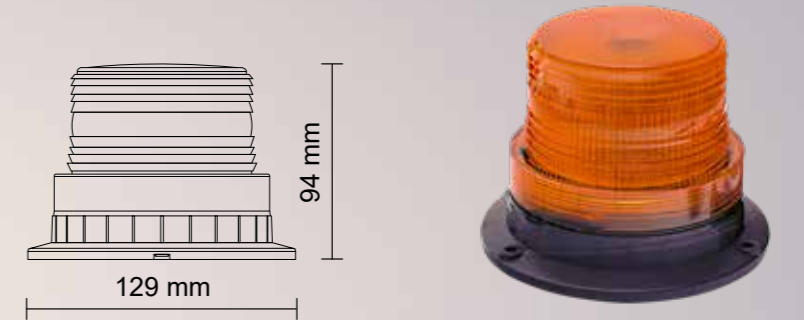
LED ROTATING BEACONS



L-FLAT

PARAMETERS

- » 60 LEDs, 9 W
- » Mounting: 3 screws
- » Light mode switching: flashing or rotating
- » 2 light modes: 360° rotating, flash, selected by means of the yellow wire
- » -30 °C ~ +50 °C



Order No. 727485

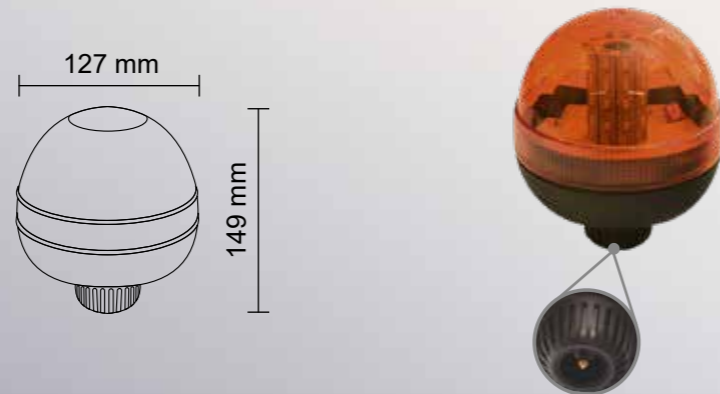
Rotating Beacon – fixed



L-BERRY

PARAMETERS

- » 40 LEDs, 15 W
- » Mounting: flexible pipe mount
- » Light mode switching: flashing or rotating
- » 3 light modes: 360° rotating, two kinds of flash
- » -30 °C ~ +50 °C



Order No. 726008

Rotating Beacon – flexible pipe mount



L-FLAT

PARAMETERS

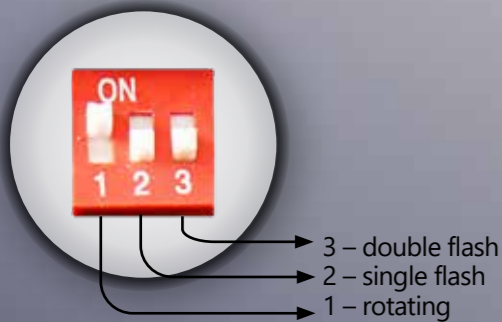
- » 60 LEDs, 9 W
- » Mounting: fixed by three screws or magnet
- » Light mode switching: flashing or rotating
- » 2 light modes: 360° rotating, flash selected on cigarette lighter socket
- » Cable: 2.5 m
- » -30 °C ~ +50 °C



Order No. 727456

Rotating Beacon – fixed and magnet

Beacon switch module



- 3 – double flash
- 2 – single flash
- 1 – rotating

Order No. 726004

L-BERRY

Beacon lens



Order No. 727483

L-FLAT

Beacon lens



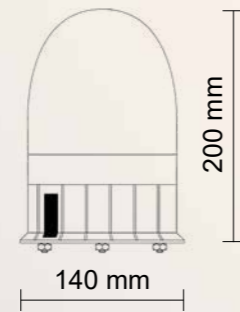
LED ROTATING BEACONS



L-STANDARD

PARAMETERS

- » 80 LEDs, 12 W
- » Mounting: 3 screws
- » Light mode switching: flashing or rotating
- » 3 light modes: 360° rotating, two kinds of flash
- » -30 °C ~ +50 °C



Rotating Beacon – fixed



Order No. 727430

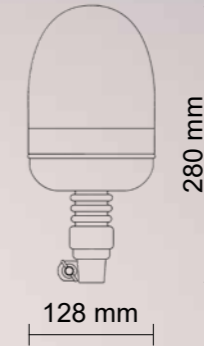
LED ROTATING BEACONS



L-STANDARD

PARAMETERS

- » 80 LEDs, 12 W
- » Mounting: flexible pipe mount
- » Light mode switching: flashing or rotating
- » 3 light modes: 360° rotating, two kinds of flash
- » -30 °C ~ +50 °C



Rotating Beacon – flexible pipe mount



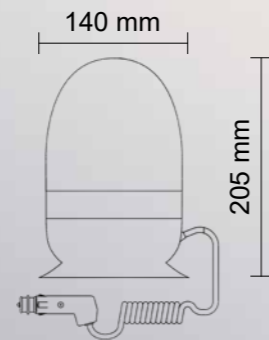
Order No. 727432



L-STANDARD

PARAMETERS

- » 80 LEDs, 12 W
- » Mounting: magnet
- » Light mode switching: flashing or rotating
- » 3 light modes: 360° rotating, two kinds of flash
- » Cable: 2.5 m
- » -30 °C ~ +50 °C



Rotating Beacon – magnetic



Order No. 727431



Order No. 727434

L-STANDARD

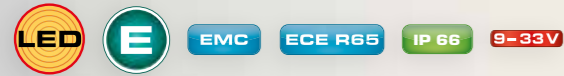
Beacon lens

Beacon switch module



- 3 – double flash
- 2 – single flash
- 1 – rotating

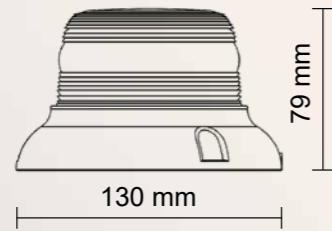
LED ROTATING BEACONS



L-BUBBLE

PARAMETERS

- » 24 LEDs, 24 W
- » Mounting: 3 screws
- » Light mode switching: flashing or rotating
- » 6 light modes: flashing or rotating
- » -30 °C ~ +60 °C



Order No. 729900

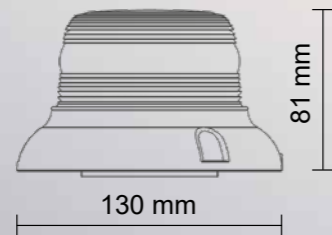
Rotating Beacon – fixed



L-BUBBLE

PARAMETERS

- » 24 LEDs, 24 W
- » Mounting: magnet
- » Light mode switching: flashing or rotating
- » 6 light modes: flashing or rotating
- » Cable: 3.1 m
- » -30 °C ~ +60 °C



Order No. 729907

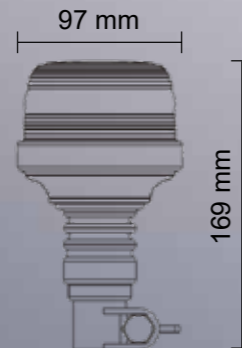
Rotating Beacon – magnetic



L-BUBBLE

PARAMETERS

- » 24 LEDs, 24 W
- » Mounting: flexible pipe mount
- » Light mode switching: flashing or rotating
- » 6 light modes: flashing or rotating
- » -30 °C ~ +60 °C



Order No. 729904

Rotating Beacon – flexible pipe mount

LED ROTATING BEACONS



Order No. 729909

L-BUBBLE

Beacon lens

Beacon switch module



- 3 – double flash
- 2 – single flash
- 1 – rotating

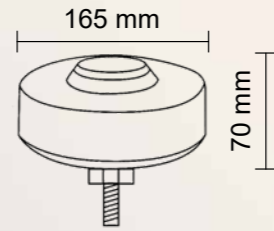
LED ROTATING BEACONS



L-UFO I

PARAMETERS

- » 48 LEDs, 24 W
- » Mounting: 1 screw
- » Light mode switching: flashing or rotating
- » 7 light modes: rotating, flashing, selected by means of the yellow wire
- » -30 °C ~ +50 °C



Order No. 726052

Rotating Beacon – fixed



L-UFO I

PARAMETERS

- » 48 LEDs, 24 W
- » Mounting: magnet
- » Light mode switching: flashing or rotating
- » 7 light modes: rotating, flashing. Selected on the cigarette lighter socket.
- » Cable: 7.8 m
- » -30 °C ~ +50 °C



Order No. 726051

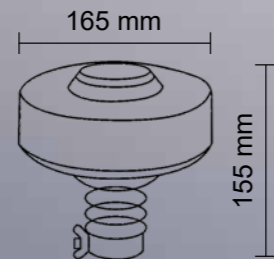
Rotating Beacon – magnetic



L-UFO I

PARAMETERS

- » 48 LEDs, 24 W
- » Mounting: flexible pipe mount
- » 1 light mode: flash
- » -30 °C ~ +50 °C



Order No. 726053

Rotating Beacon – flexible pipe mount



LED ROTATING BEACONS

Order No. 726071

L-UFO I

Beacon lens



LED *WARNING* *LIGHTS*

STROBE LIGHTS

LUMINEX[®]
line





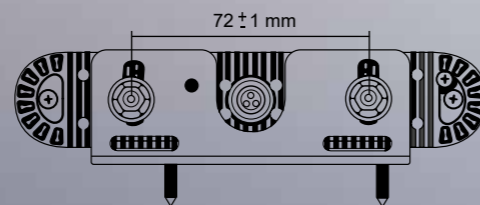
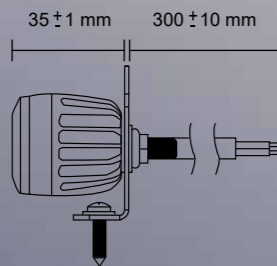
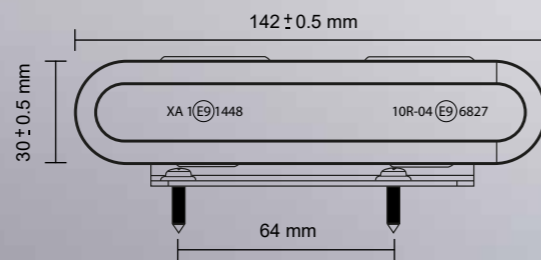
Order No. 722393

PREDATOR 2000



PARAMETERS

- » 6 LEDs, 18 W
- » Length: 142 mm
- » 10 light modes
- » Cable: 0.25 m
- » Fastening on L profile-section or from the rear by M5 screws
- » -40 °C ~ +65 °C

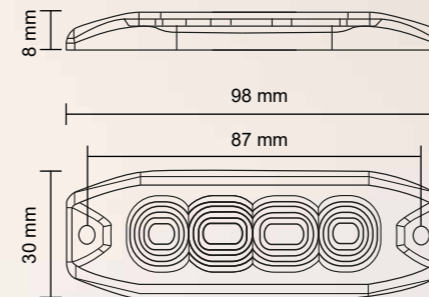


Order No. 727461

PREDATOR 2000

PARAMETERS

- » 4 LEDs, 12 W
- » Length: 98 mm
- » 19 light modes
- » Cable: 0.15 m
- » -30 °C ~ +50 °C



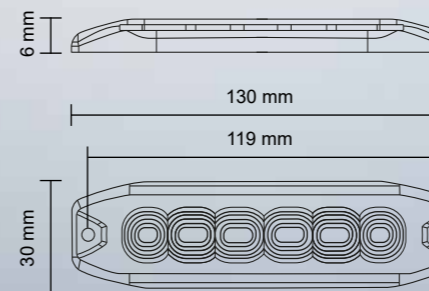
PREDATOR 2000

Order No. 727462



PARAMETERS

- » 6 LEDs, 18 W
- » Length: 130 mm
- » 19 light modes
- » Cable: 0.15 m
- » -30 °C ~ +50 °C



L-BRUTAL

Warning lights enhance visibility of the vehicle, thus increasing road safety of all traffic participants. The L – BRUTAL model is particularly suitable for this purpose. It is part of the SLIM series – ultra-thin modern warning lights. The extremely powerful yellow light and the SLIM design put the L-BRUTAL light in the EXTRA LEAGUE of warning lights. With the R10 and R65 homologation marking, it fully complies with the European legislation.



LUMINEX[®]
line

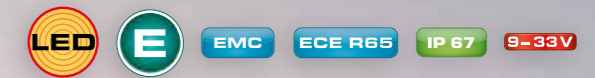
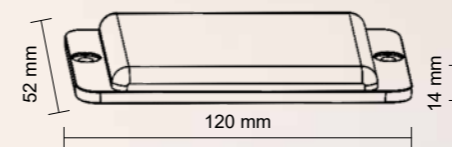
LED WARNING LIGHTS / STROBE LIGHTS

L-BRUTAL

Order No. 727488

PARAMETERS

- » 12 LEDs, 36 W
- » Length: 120 mm
- » 26 light modes
- » Cable: 0.3 m
- » -30 °C ~ +60 °C

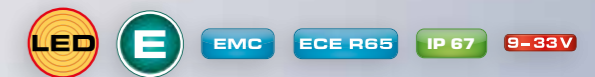
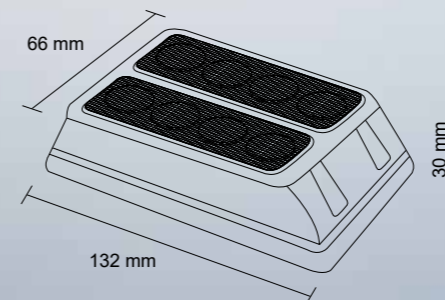


PREDATOR

Order No. 727453

PARAMETERS

- » 8 LEDs, 24 W
- » Length: 132 mm
- » 26 light modes
- » Cable: 0.3 m
- » -30 °C ~ +50 °C



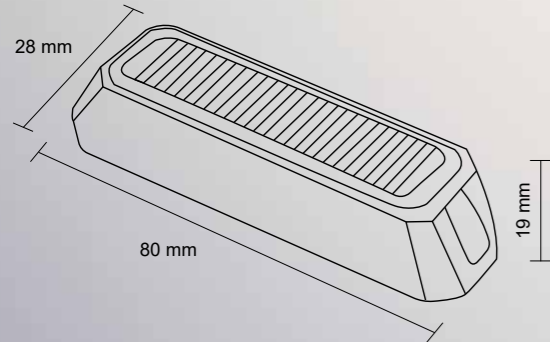
LUMINEX[®]
line

LED WARNING LIGHTS / STROBE LIGHTS

PREDATOR

PARAMETERS

- » 3 LEDs, 9 W
- » Length: 80 mm
- » 26 light modes
- » Cable: 0.3 m
- » -30 °C ~ +50 °C



Order No. 727451

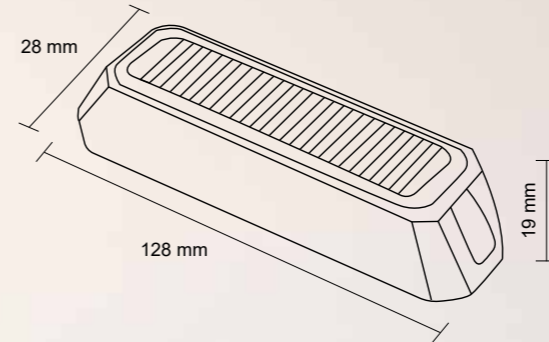


LED WARNING LIGHTS / STROBE LIGHTS

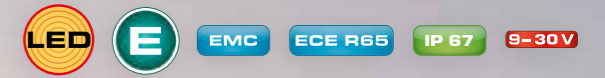
PREDATOR

PARAMETERS

- » 6 LEDs, 18 W
- » Length: 128 mm
- » 26 light modes
- » Cable: 0.4 m
- » -30 °C ~ +50 °C



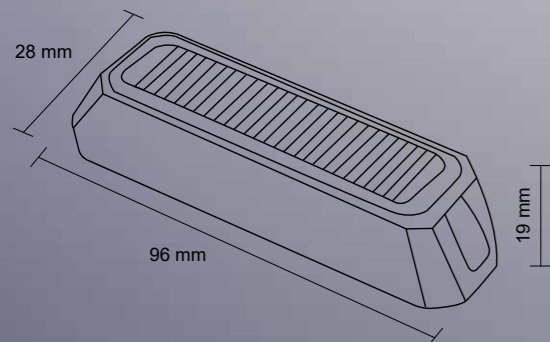
Order No. 727489



PREDATOR

PARAMETERS

- » 4 LEDs, 12 W
- » Length: 96 mm
- » 26 light modes
- » Cable: 0.3 m
- » -30 °C ~ +50 °C



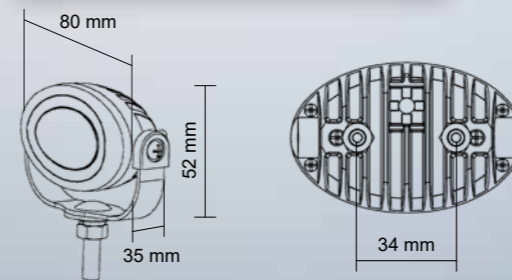
Order No. 727452



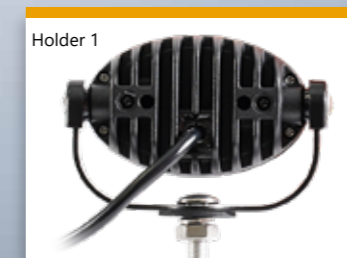
PREDATOR 2000

PARAMETERS

- » 3 LEDs, 9 W
- » Length: 80 mm
- » 26 light modes
- » Mounting: holder 1 or holder 2 – fastening from the rear using M6 screws
- » Cable: 0.4 m
- » -30 °C ~ +60 °C



Order No. 729462



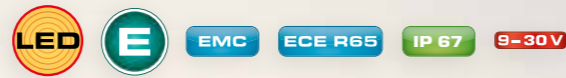
LED *WARNING* *LIGHTS*

LED ALLEYS

LUMINEX[®]
line

LED WARNING LIGHTS / LED ALLEYS

L-ALLEY

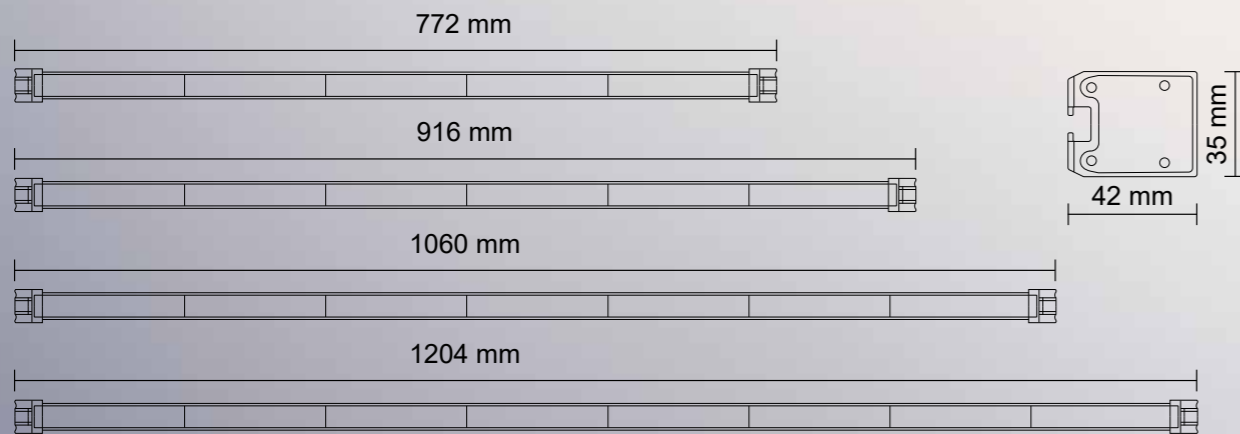


PARAMETERS

- » Colour: orange
- » 27 light modes. Selected on the cigarette lighter socket
- » Attached by a magnet or screws



The control unit is only part of the 725014 product



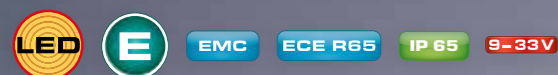
Order No.	Length	LED	Watt	Flashes	Attachment	Temperature	Cable	Control unit
725011	772 mm	45x	67.5 W	27x	Screw, magnet	-40 °C ~ +60 °C	3.1 m	NO
725012	916 mm	54x	81 W	27x	Screw, magnet	-40 °C ~ +60 °C	3.1 m	NO
725013	1060 mm	63x	94.5 W	27x	Screw, magnet	-40 °C ~ +60 °C	3.1 m	NO
725014	1204 mm	72x	108 W	27x	Screw, magnet	-40 °C ~ +60 °C	4.9 m	YES

LED *WARNING* *SYSTEM*

RESCUE SERVICES

A dramatic night scene of a fire. In the background, a large fire consumes a structure, with bright orange and yellow flames and thick smoke. In the foreground, several firefighters in dark gear are silhouetted against the fire. To the right, a fire truck is visible, its blue emergency lights flashing. The overall atmosphere is one of emergency and action.

LUMINEX[®]
line

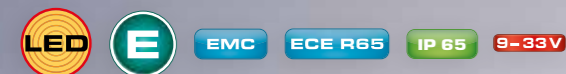
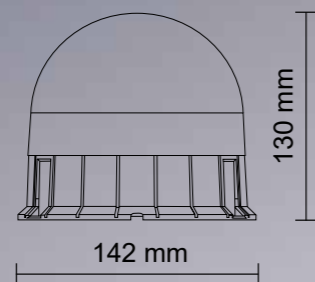


Order No. 727469

L-FLASH I

Rotating Beacon – fixed

- PARAMETERS**
- » 8 LEDs, 24 W
 - » Mounting: 3 screws
 - » Light mode switching: flashing or rotating
 - » 3 light modes: 360° rotating, two kinds of flash
 - » -30 °C ~ +50 °C

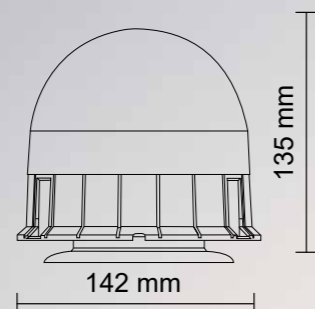


Order No. 727468

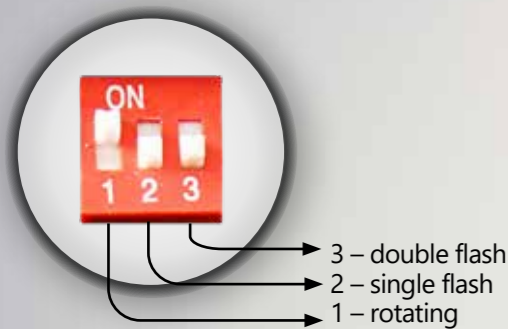
L-FLASH I

Rotating Beacon – magnetic

- PARAMETERS**
- » 8 LEDs, 24 W
 - » Mounting: magnet
 - » Light mode switching: flashing or rotating
 - » 3 light modes: 360° rotating, two kinds of flash
 - » Cable: 2.5 m
 - » -30 °C ~ +50 °C

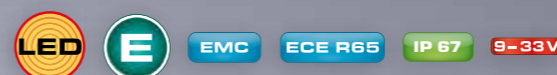


Beacon switch module



Order No. 727478

L-FLASH I
Beacon lens

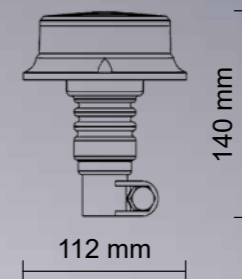


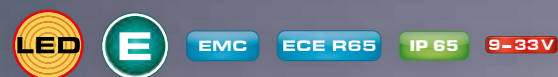
Order No. 729445

L-UFO II

Rotating Beacon – flexible pipe mount

- PARAMETERS**
- » 18 LEDs, 27 W
 - » Mounting: bar, adaptable
 - » Light mode switching
 - » 3 light modes: three kinds of flash
 - » -30 °C ~ +60 °C



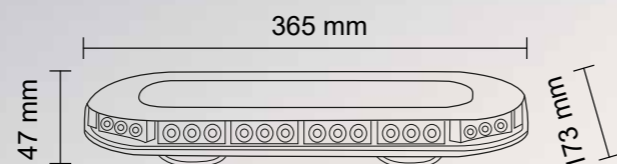


Order No. 726114

DESIGN 2000

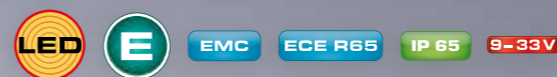
BLUE

365 mm



PARAMETERS

- » 42 LEDs
- » Each diode 3 W
- » 26 light modes. Selected on the cigarette lighter socket
- » Magnetic holder
- » Plastic base
- » Case: polycarbonate
- » Cable: 3 m with cigarette lighter plug
- » -30 °C ~ +50 °C

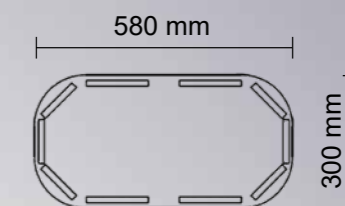
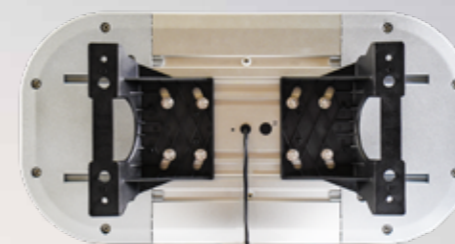


Order No. 726113

HURRICANE 2000

BLUE

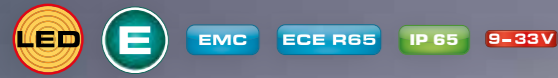
580 mm



PARAMETERS

- » 72 LEDs
- » Each diode 3 W
- » 29 light modes. Selected on the cigarette lighter socket
- » Aluminium base (AL)
- » Case: polycarbonate
- » Cable: 3 m with cigarette lighter plug
- » Fixed assembly





Order No. 726106

HURRICANE 2000

BLUE

852 mm



PARAMETERS

- » 108 LEDs
- » Each diode 3 W
- » 29 light modes
- » Aluminium base (AL)
- » Case: polycarbonate
- » Fixed assembly



CONTROL PANEL

- » Mounting: suction cup
- » Light mode selection, flash frequency
- » Flash intensity selection
- » LED indicator of currently selected mode



Order No. 726126

HURRICANE 2000

BLUE/RED

852 mm



PARAMETERS

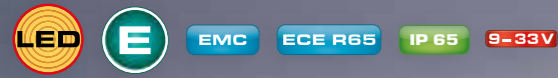
- » 108 LEDs
- » Each diode 1 W
- » 29 light modes
- » Aluminium base (AL)
- » Case: polycarbonate
- » Fixed assembly



CONTROL PANEL

- » Mounting: suction cup
- » Light mode selection, flash frequency
- » Flash intensity selection
- » LED indicator of currently selected mode



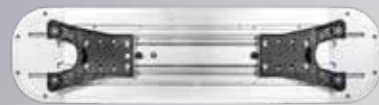


Order No. 726107

HURRICANE 2000

BLUE

1 172 mm



PARAMETERS

- » 144 LEDs
- » Each diode 3 W
- » 29 light modes
- » Aluminium base (AL)
- » Case: polycarbonate
- » Fixed assembly



CONTROL PANEL

- » Mounting: suction cup
- » Light mode selection, flash frequency
- » Flash intensity selection
- » LED indicator of currently selected mode



Order No. 726127

HURRICANE 2000

BLUE/RED

1 172 mm



PARAMETERS

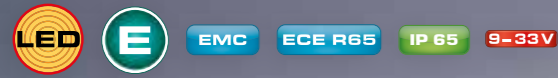
- » 144 LEDs
- » Each diode 1 W
- » 29 light modes
- » Aluminium base (AL)
- » Case: polycarbonate
- » Fixed assembly



CONTROL PANEL

- » Mounting: suction cup
- » Light mode selection, flash frequency
- » Flash intensity selection
- » LED indicator of currently selected mode





Order No. 726108

HURRICANE 2000

BLUE

1 492 mm



PARAMETERS

- » 144 LEDs
- » Each diode 3 W
- » 29 light modes
- » Aluminium base (AL)
- » Case: polycarbonate
- » Fixed assembly



CONTROL PANEL

- » Mounting: suction cup
- » Light mode selection, flash frequency
- » Flash intensity selection
- » LED indicator of currently selected mode



Order No. 726128

HURRICANE 2000

BLUE/RED

1 492 mm



PARAMETERS

- » 144 LEDs
- » Each diode 1 W
- » 29 light modes
- » Aluminium base (AL)
- » Case: polycarbonate
- » Fixed assembly



CONTROL PANEL

- » Mounting: suction cup
- » Light mode selection, flash frequency
- » Flash intensity selection
- » LED indicator of currently selected mode



Order No. 727487

Control panel for LED warning systems HURRICANE 2000



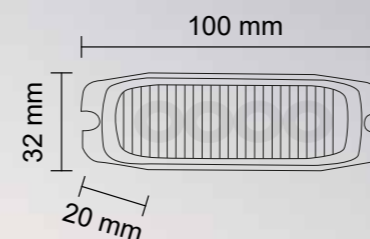
Order No. 727467



PREDATOR 2000

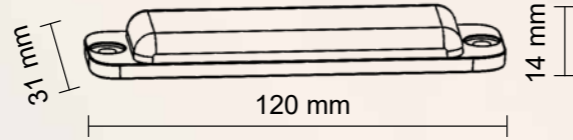
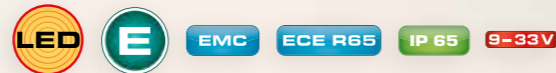
PARAMETERS

- » 4 LEDs, 20 W
- » Length: 100 mm
- » 9 light modes
- » Cable: 0.15 m
- » -30 °C ~ +50 °C



L-BRUTAL BLUE

Order No. 727477



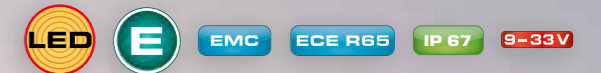
PARAMETERS

- » 6 blue LEDs, 18 W
- » Length: 120 mm
- » 26 light modes
- » Cable: 0.3 m
- » -30 °C ~ +60 °C



L-BRUTAL BLUE

Order No. 727457



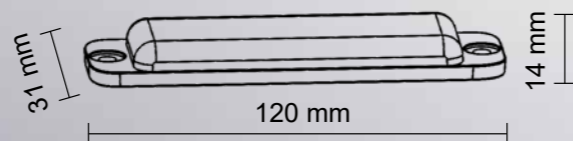
PARAMETERS

- » 12 blue LEDs, 36 W
- » Length: 120 mm
- » 26 light modes
- » Cable: 0.3 m
- » -30 °C ~ +60 °C



L-BRUTAL RED

Order No. 727396



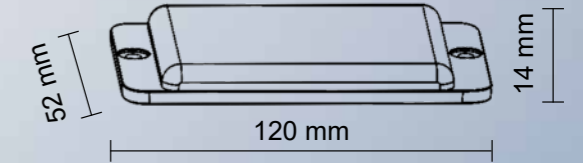
PARAMETERS

- » 6 red LEDs, 18 W
- » Length: 120 mm
- » 26 light modes
- » Cable: 0.3 m
- » -30 °C ~ +60 °C



L-BRUTAL RED

Order No. 727420



PARAMETERS

- » 12 red LEDs, 36 W
- » Length: 120 mm
- » 26 light modes
- » Cable: 0.3 m
- » -30 °C ~ +60 °C



PREDATOR BLUE

Order No. 729450



PARAMETERS

- » 12 blue LEDs, 14 W
- » 180° lighting angle
- » 26 light modes
- » Mounting: holder 1 or holder 2: attachment from the rear using M6 screws
- » Cable: 0.4 m
- » -30 °C ~ +60 °C



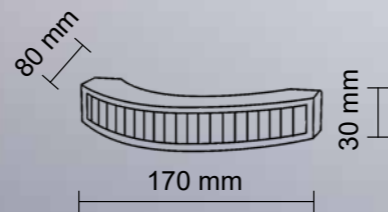
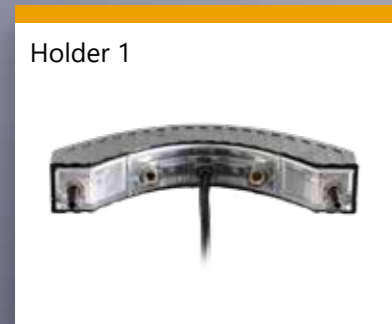
PREDATOR RED

Order No. 729451



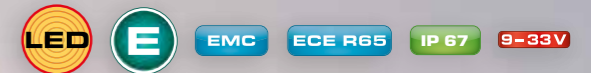
PARAMETERS

- » 12 red LEDs, 14 W
- » 180° lighting angle
- » 26 light modes
- » Mounting: holder 1 or holder 2: attachment from the rear using M6 screws
- » Cable: 0.4 m
- » -3 °C ~ +60 °C



PREDATOR 2000 BLUE

Order No. 729460



PARAMETERS

- » 3 blue LEDs, 9 W
- » 26 light modes
- » Mounting: holder 1 or holder 2: attachment from the rear using M6 screws
- » Cable: 0.4 m
- » -30 °C ~ +60 °C



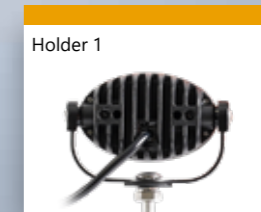
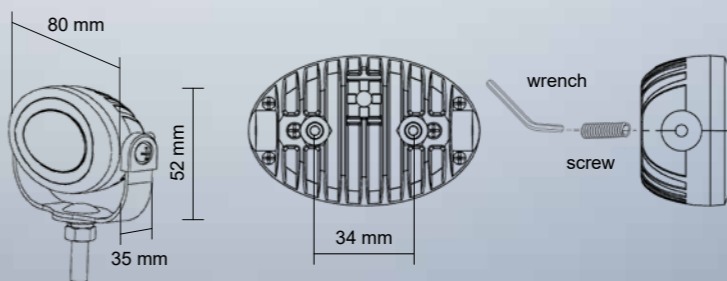
PREDATOR 2000 RED

Order No. 729461



PARAMETERS

- » 3 red LEDs, 9 W
- » 26 light modes
- » Mounting: holder 1 or holder 2: attachment from the rear using M6 screws
- » Cable: 0.4 m
- » -30 °C ~ +60 °C

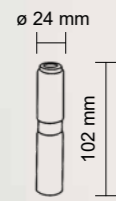




LED *WARNING* *BEACONS*

POLE MOUNTING

LED WARNING BEACONS / POLE MOUNTING



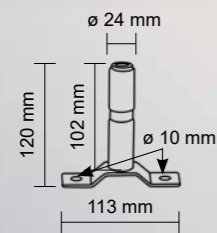
Order No. 720042

Fixing: using a welded pipe



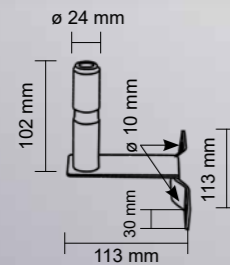
Order No. 720043

Fixing: using a nut



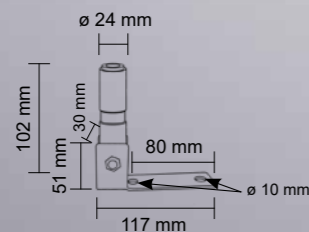
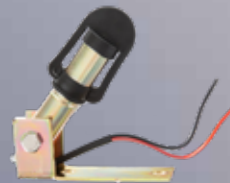
Order No. 727436

Fixing: using two screws



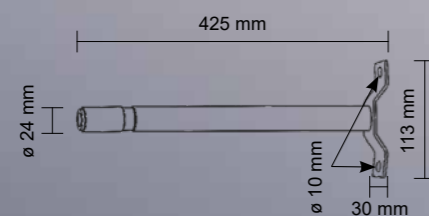
Order No. 727435

Fixing: using two screws



Order No. 727449

Fixing: fold down fixing, using two screws



Order No. 727480

Fixing: using two screws



LED *TAIL LIGHTS*

LUMINEX[®]
line

LED TAIL LIGHTS

L-DYNAMIC



PROGRESSIVE
INDICATION

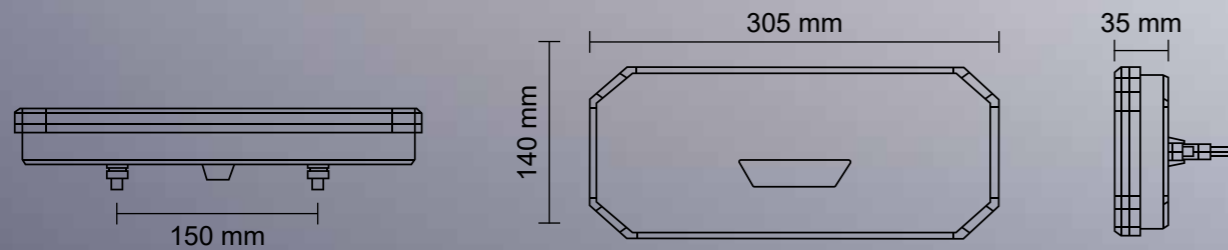


PARAMETERS

- » Light: all LED
- » Reflector on the side
- » Use: cars, lorries, caravans, trailers, semi-trailers, car trailers
- » Mounting: 2 M6 screws
- » Case: PMMA
- » Housing: ABS
- » Cable: 0.45 m
- » Weight: 0.9 kg
- » -40 °C ~ +65 °C



Order No.	Left	Right	Indicators	Tail	Brake	Number plate	Reverse	Fog	Connection
725320		•	•	•	•	•	•	•	Cable: 0.45 m
725321	•		•	•	•	•	•	•	



LUMINEX[®]

LED TAIL LIGHTS

L-DYNAMIC



PROGRESSIVE
INDICATION

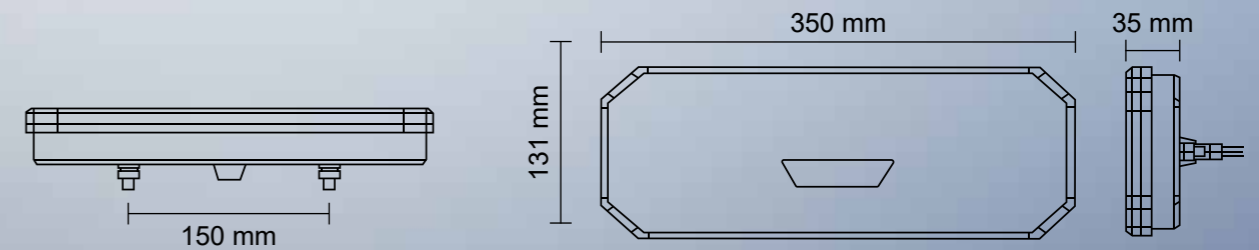


PARAMETERS

- » Light: all LED
- » Use: cars, lorries, caravans, trailers, semi-trailers, car trailers
- » Mounting: 2 M6 screws
- » Case: PMMA
- » Housing: ABS
- » Cable: 0.45 m
- » Weight: 1 kg
- » -40 °C ~ +65 °C



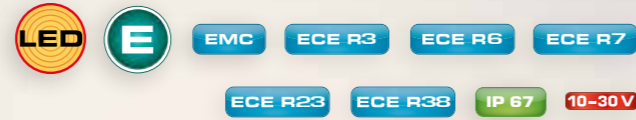
Order No.	Left	Right	Indicators	Tail	Brake	Number plate	Reverse	Fog	Connection
725328		•	•	•	•		•	•	Cable: 0.45 m
725329	•		•	•	•		•	•	



LUMINEX[®]

LED TAIL LIGHTS

L-DYNAMIC



PROGRESSIVE
INDICATION

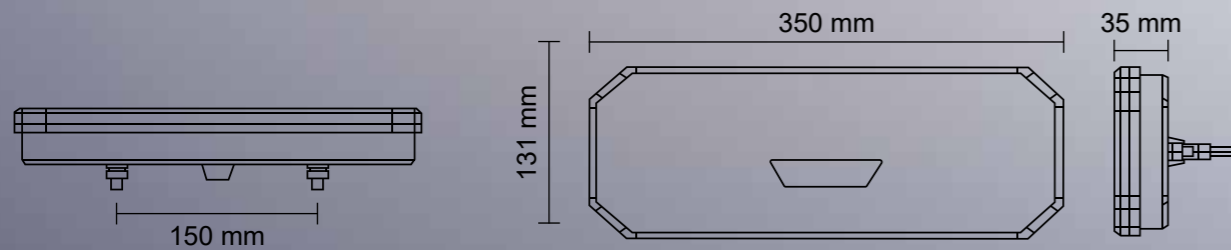


PARAMETERS

- » Light: all LED
- » Use: cars, lorries, caravans, trailers, semi-trailers, car trailers
- » Mounting: 2 M6 screws
- » Case: PMMA
- » Housing: ABS
- » Cable: 0.45 m
- » Weight: 1 kg
- » -40 °C ~ +65 °C



Order No.	Left	Right	Indicators	Tail	Brake	Number plate	Reverse	Fog	Connection
725326		•	•	•	•		•	•	Cable: 0.45 m
725327	•		•	•	•		•	•	



LUMINEX[®]

LED TAIL LIGHTS

L-DYNAMIC

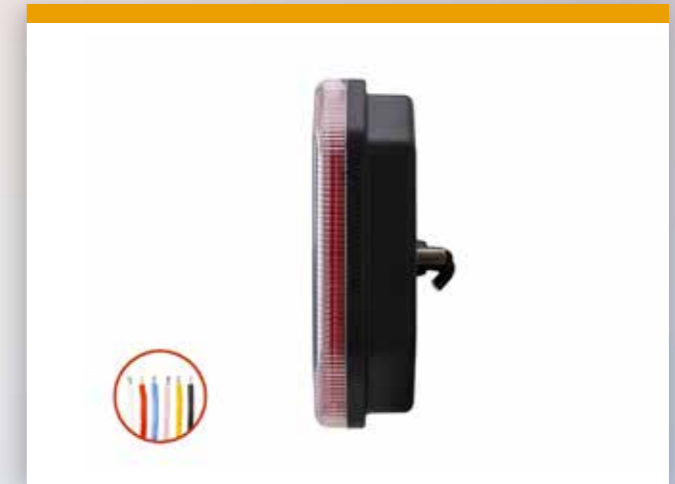


PROGRESSIVE
INDICATION

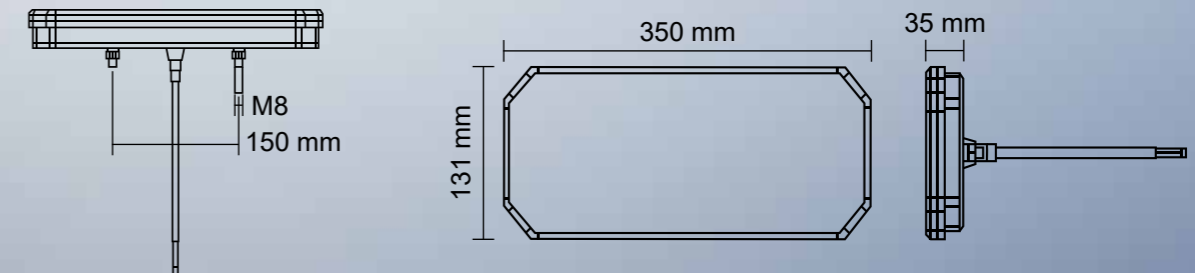


PARAMETERS

- » Light: all LED
- » Use: cars, lorries, caravans, trailers, semi-trailers, car trailers
- » Mounting: 2 M8 screws
- » Case: PMMA
- » Housing: ABS
- » Cable: 0.5 m
- » Weight: 1 kg
- » -40 °C ~ +65 °C



Order No.	Left	Right	Indicators	Tail	Brake	Number plate	Reverse	Fog	Connection
725318		•	•	•	•		•	•	Cable: 0.5 m
725319	•		•	•	•		•	•	



LUMINEX[®]

LED TAIL LIGHTS

L-DYNAMIC



PROGRESSIVE
INDICATION

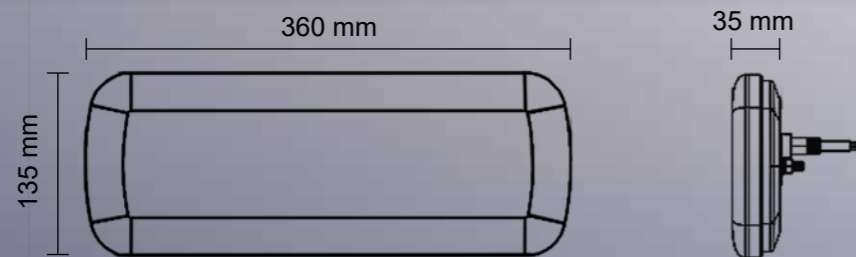


PARAMETERS

- » Light: all LED
- » Use: Lorry, semi-trailer, trailer, car trailer
- » Mounting: 2 M6 screws
- » Case: polycarbonate
- » Housing: ABS
- » Cable: 0.5 m
- » Weight: 1.32 kg
- » -40 °C ~ +65 °C



Order No.	Left	Right	Indicators	Tail	Brake	Number plate	Reverse	Fog	Connection
724545		•	•	•	•		•	•	
724546	•		•	•	•		•	•	



LUMINEX[®]

LED TAIL LIGHTS

L-DYNAMIC II



PROGRESSIVE
INDICATION

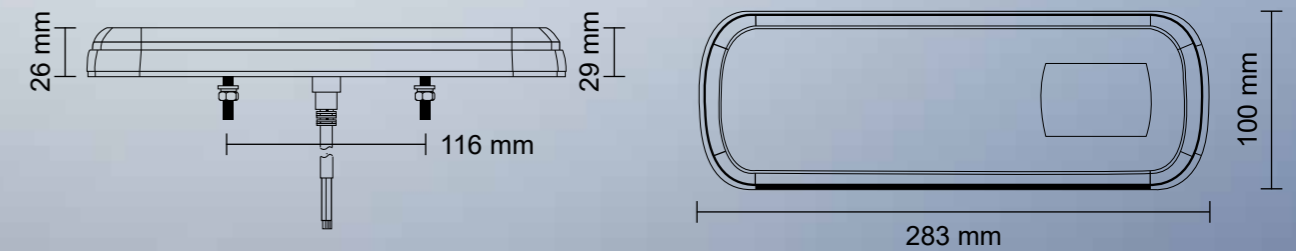


PARAMETERS

- » Light: all LED
- » Use: car, lorry, caravan, tractor, van
- » Mounting: 2 M5 screws
- » Case: polycarbonate
- » Housing: ABS
- » Cable: 0.5 m
- » Weight: 0.7 kg
- » -40 °C ~ +65 °C



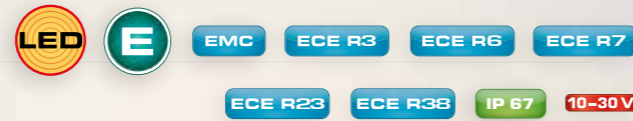
Order No.	Left	Right	Indicators	Tail	Brake	Number plate	Reverse	Fog	Connection
723768	•	•	•	•	•		•	•	Cable: 0.5 m



LUMINEX[®]

LED TAIL LIGHTS

L-DYNAMIC III



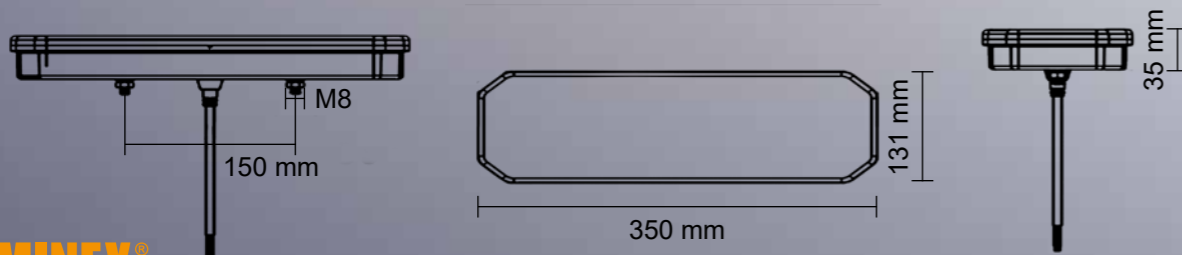
PROGRESSIVE
INDICATION

PARAMETERS

- » Light: all LED
- » Use: semi-trailer, trailer, car trailer
- » Mounting: 2 M6 screws
- » Housing: polycarbonate
- » Cable: 0.45 m
- » Weight: 0.9 kg
- » -40 °C ~ +65 °C



Order No.	Left	Right	Indicators	Tail	Brake	Number plate	Reverse	Fog	Connection
725322		•	•	•	•		•	•	Cable: 0.45 m
725323	•		•	•	•		•	•	Cable: 0.45 m



LUMINEX[®]

LED TAIL LIGHTS

L-DYNAMIC III



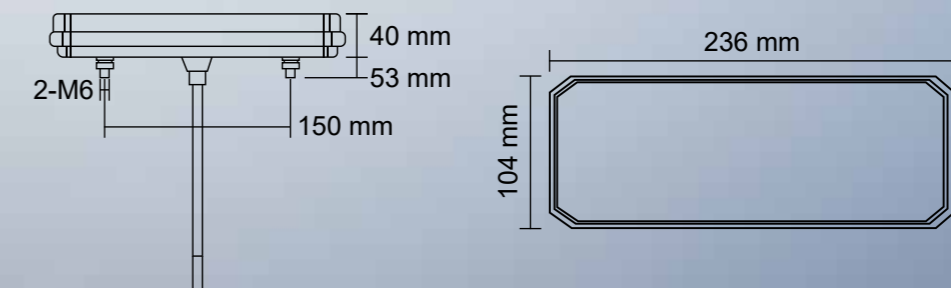
PROGRESSIVE
INDICATION

PARAMETERS

- » Light: all LED
- » Use: cars, lorries, caravans, trailers, semi-trailers, car trailers
- » Mounting: 2 M6 screws
- » Case: PMMA
- » Housing: ABS
- » Cable: 0.45 m
- » Weight: 0.65 kg
- » -40 °C ~ +65 °C



Order No.	Left	Right	Indicators	Tail	Brake	Number plate	Reverse	Fog	Connection
725324		•	•	•	•		•	•	Cable: 0.45 m
725325	•		•	•	•		•	•	



LUMINEX[®]

L-SLENDER

LuminexLine LED tail lights excel in their sturdiness, which is achieved by the selected composition of plastic granulates that enhance their strength.

Lighting for your car or trailer is not only an accessory required by legislation. It is primarily a signature of each vehicle. A clearly legible signature that distinguishes your vehicle.

High luminosity and design efficiency – this is the LuminexLine series which will please the eyes of all passers-by and make you visible in heavy traffic.



LUMINEX[®]
line

LED TAIL LIGHTS

L-SLENDER

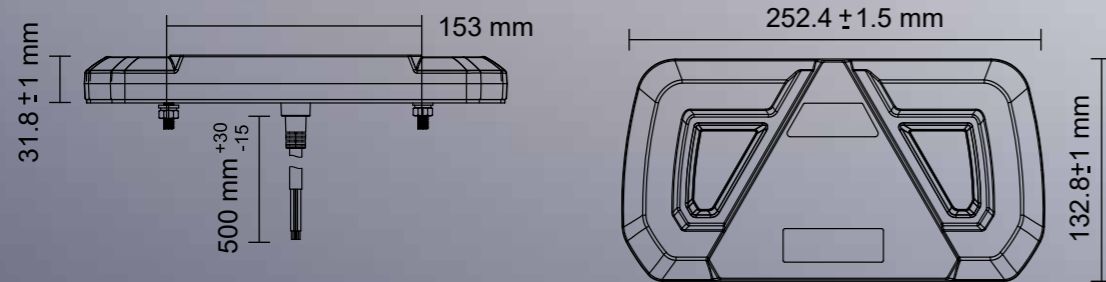


PARAMETERS

- » Light: all LED
- » Use: semi-trailer, trailer, car trailer
- » Mounting: 2 M6 screws
- » Case: polycarbonate
- » Housing: ABS
- » Cable: 0.4 m
- » Weight: 0.750 kg
- » -40 °C ~ +65 °C



Order No.	Left	Right	Indicators	Tail	Brake	Number plate	Reverse	Fog	Connection
726915	•		•	•	•		•	•	Cable: 0.4 m
726914		•	•	•	•		•	•	



LUMINEX[®]

LED TAIL LIGHTS


L-TRIANGLE

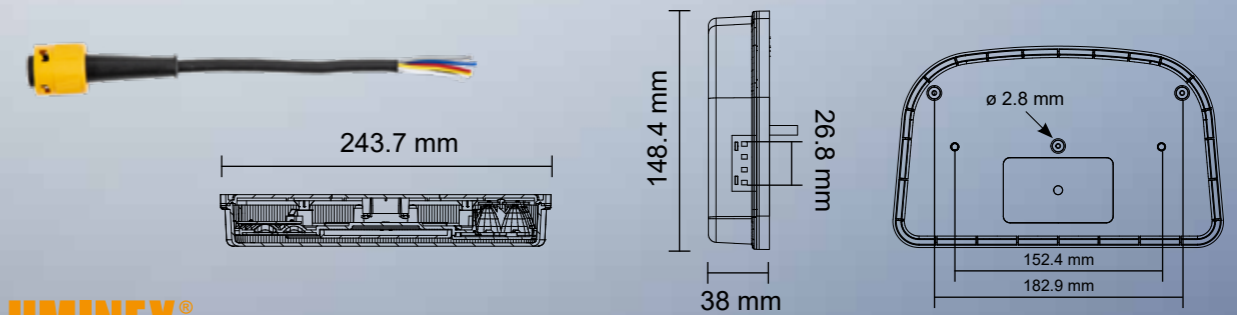


PARAMETERS

- » Light: all LED
- » Use: semi-trailer, trailer, car trailer
- » Mounting: 2 M6 screws
- » Case: PMMA
- » Housing: ABS
- » Mounting: 7-pole socket. The light is delivered with a connector counterpart and cable
- » Weight: 0.512 kg



Order No.	Left	Right	Indicators	Tail	Brake	Number plate	Reverse	Fog	Connection
726195	•		•	•	•	•	•	•	
726194		•	•	•	•	•	•	•	



LUMINEX[®]

LED TAIL LIGHTS

L-PURE II

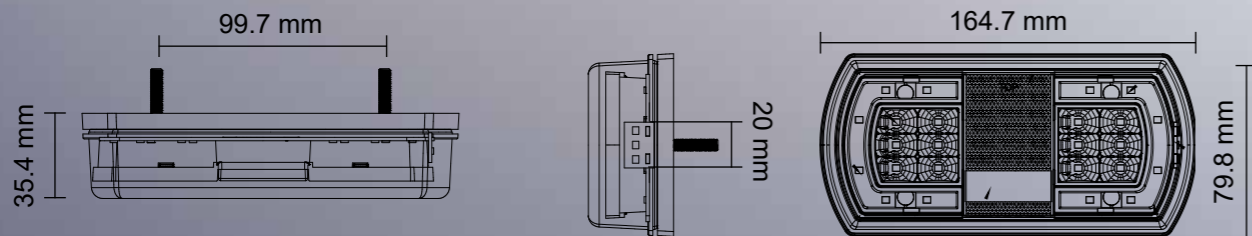


PARAMETERS

- » Light: all LED
- » Use: car, lorry, caravan, tractor, van
- » Mounting: 2 M5 screws
- » Case: PMMA
- » Housing: ABS
- » Cable: 0.2 m
- » Weight: 0.216 kg



Order No.	Left	Right	Indicators	Tail	Brake	Number plate	Reverse	Fog	Connection
726182	●		●	●	●	●			Cable: 0.2 m
726181		●	●	●	●	●			



LED TAIL LIGHTS

L-CLASSIC



REPAIR KIT


721493

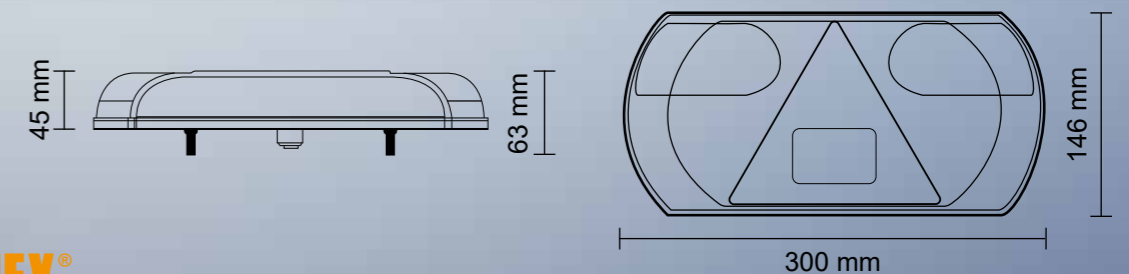


PARAMETERS

- » Light: all LED
- » Use: semi-trailer, trailer, car trailer
- » Mounting: 2 M6 screws
- » Case: polycarbonate
- » Housing: ABS
- » Connection: 7-pole socket
- » Weight: 0.9 kg
- » -40 °C ~ +65 °C

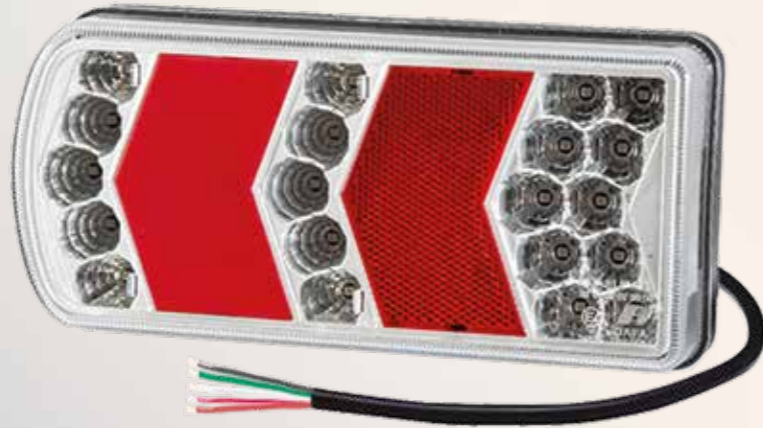


Order No.	Left	Right	Indicators	Tail	Brake	Number plate	Reverse	Fog	Connection
724544	●		●	●	●		●	●	
724543		●	●	●	●		●	●	



LED TAIL LIGHTS

L-ARROW



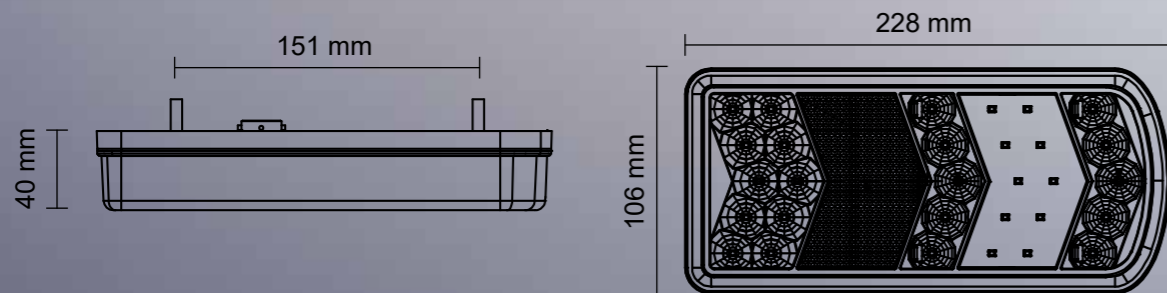
NEON

PARAMETERS

- » Light: LED, neon side light
- » Use: car, lorry, caravan, tractor, van
- » Mounting: 2 M6 screws
- » Case: PMMA
- » Housing: ABS
- » Cable: 0.3 m
- » Weight: 0.405 kg



Order No.	Left	Right	Indicators	Tail	Brake	Number plate	Reverse	Fog	Connection
726173	•		•	•	•	•		•	Cable: 0.3 m
726172		•	•	•	•	•	•		



LED TAIL LIGHTS

L-PURE

PARAMETERS

- » Light: all LED
- » Use: car, lorry, caravan, tractor, van
- » Mounting: 2 M5 screws
- » Case: PMMA
- » Housing: ABS
- » Cable: 0.3 m
- » Weight: 0.214 kg
- » -40 °C ~ +60 °C



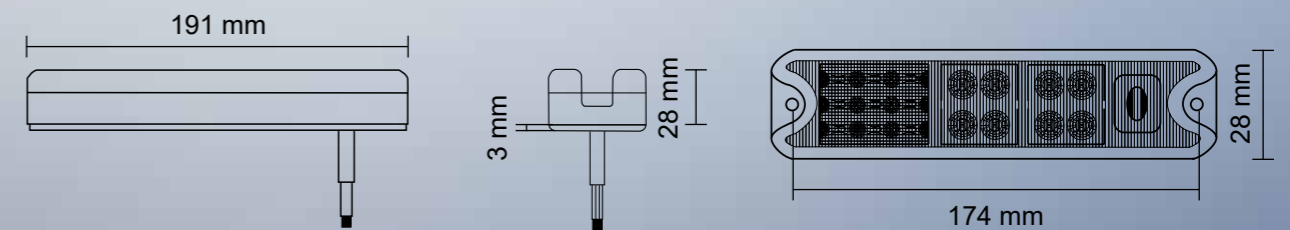
Order No.	Left	Right	Indicators	Tail	Brake	Number plate	Reverse	Fog	Connection
725830	•	•	•	•	•		•		Cable: 0.3 m

PARAMETERS

- » Light: all LED
- » Use: car, lorry, caravan, tractor, van
- » Mounting: 2 M5 screws
- » Case: PMMA
- » Housing: ABS
- » Cable: 0.3 m
- » Weight: 0.214 kg
- » -40 °C ~ +60 °C



Order No.	Left	Right	Indicators	Tail	Brake	Number plate	Reverse	Fog	Connection
725828	•	•					•	•	Cable: 0.3 m



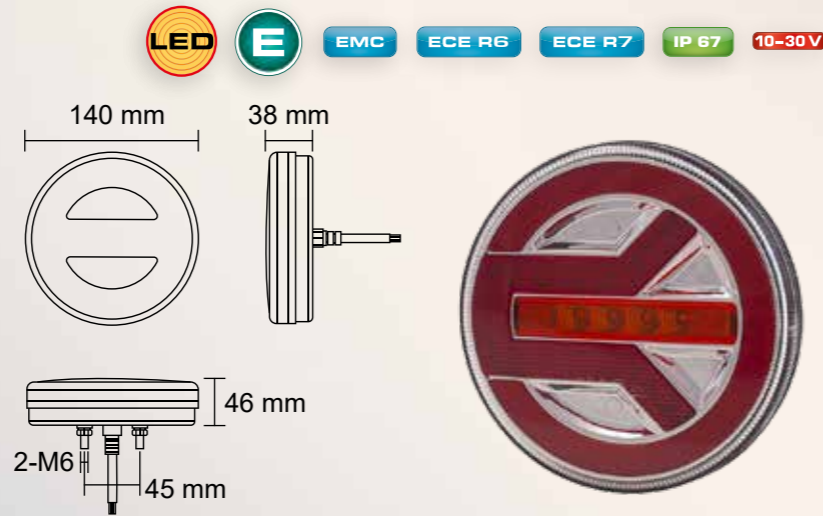
LED TAIL LIGHTS

PROGRESSIVE INDICATION

L-DYNAMIC ROUND

PARAMETERS

- » Light: all LED
- » Use: car, lorry, caravan, tractor, van, semi-trailer, trailer, car trailer
- » Mounting: 2 M6 screws
- » Case: PMMA
- » Housing: ABS
- » Cable: 0.45 m
- » Weight: 0.351 kg
- » -40 °C ~ +65 °C



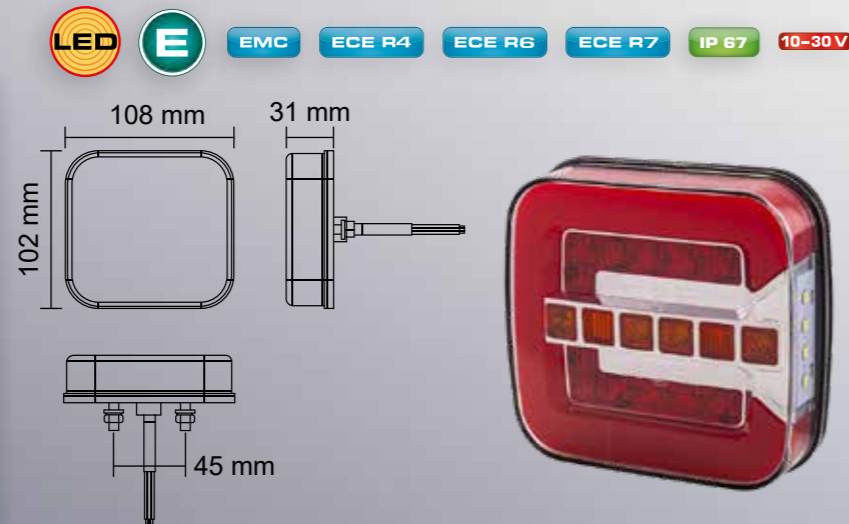
Order No.	Left	Right	Indicators	Tail	Brake	Number plate	Reverse	Fog	Connection
725313	•	•	•	•	•				Cable: 0.45 m

PROGRESSIVE INDICATION

L-DYNAMIC SQUARE

PARAMETERS

- » Light: all LED with number plate light
- » Use: cars, lorries, caravans, tractors, vans, trailers, semi-trailers, car trailers
- » Mounting: 2 M6 screws
- » Case: PMMA
- » Housing: ABS
- » Cable: 0.45 m
- » Weight: 0.298 kg
- » -40 °C ~ +65 °C



Order No.	Left	Right	Indicators	Tail	Brake	Number plate	Reverse	Fog	Connection
725339	•	•	•	•	•	•			Cable: 0.45 m

LUMINEX[®]

LED TAIL LIGHTS

L-DYNAMIC SQUARE II



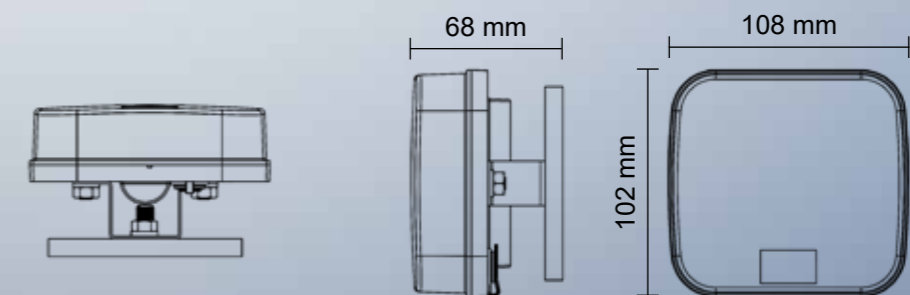
PROGRESSIVE INDICATION

PARAMETERS

- » Light: cordless all LED with number plate light
- » Package contents: set of 2 lights, 7-pole WiFi transmitter, cigarette lighter plug 12-24 V, USB-C 1 m cable
- » Battery: up to 10 hours on single charge, charge status indicator
- » Control range: 30 m
- » Use: car, lorry, caravan, tractor, van, semi-trailer, trailer, car trailer
- » Mounting: magnet
- » Case: PMMA
- » Housing: ABS
- » Weight: 0.8 Kg
- » -40 °C ~ +65 °C



Order No.	Left	Right	Indicators	Tail	Brake	Number plate	Reverse	Fog	Connection
725345	•	•	•	•	•	•			2.4 GHz



LUMINEX[®]

LED TAIL LIGHTS

PARAMETERS

- » Light: all LED
- » Use: car, caravan, tractor, van
- » Mounting: 2 M5 screws
- » Case: PMMA
- » Housing: ABS
- » Cable: 0.5 m
- » Weight: 0.28 kg
- » -40 °C ~ +65 °C

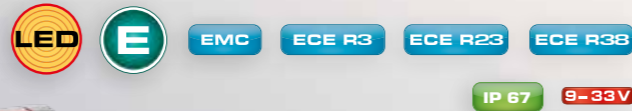


L-AGRI

Order No.	Left	Right	Indicators	Tail	Brake	Number plate	Reverse	Fog	Connection
722141	•	•	•	•	•	•			Cable: 0.5 m

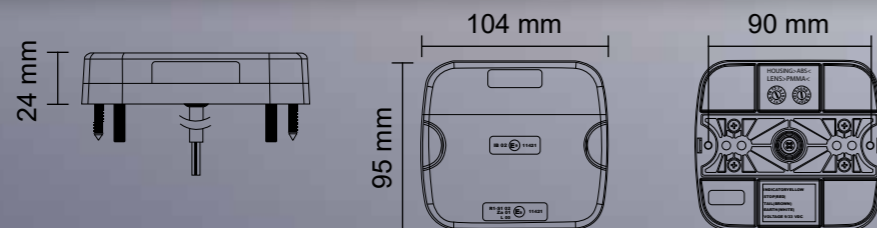
PARAMETERS

- » Light: all LED
- » Use: car, caravan, tractor, van
- » Mounting: 2 M5 screws
- » Case: PMMA
- » Housing: ABS
- » Cable: 0.5 m
- » Weight: 0.28 kg
- » -40 °C ~ +65 °C



L-AGRI

Order No.	Left	Right	Indicators	Tail	Brake	Number plate	Reverse	Fog	Connection
726916	•	•					•	•	Cable: 0.5 m

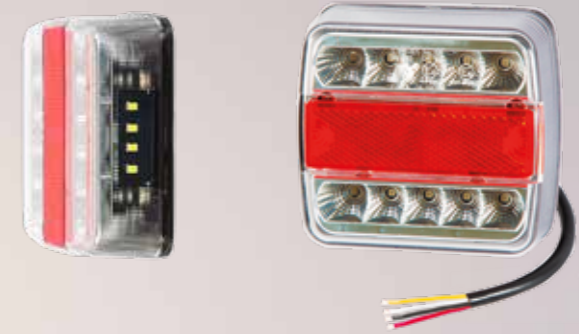


LUMINEX[®]

LED TAIL LIGHTS

PARAMETERS

- » Light: all LED
- » Use: car, lorry, caravan, tractor, van
- » Mounting: 2 M5 screws
- » Case: PMMA
- » Housing: ABS
- » Cable: 0.15 m
- » Weight: 0.183 kg



L-AGRI

Order No.	Left	Right	Indicators	Tail	Brake	Number plate	Reverse	Fog	Connection
726180	•	•	•	•	•	•			Cable: 0.15 m

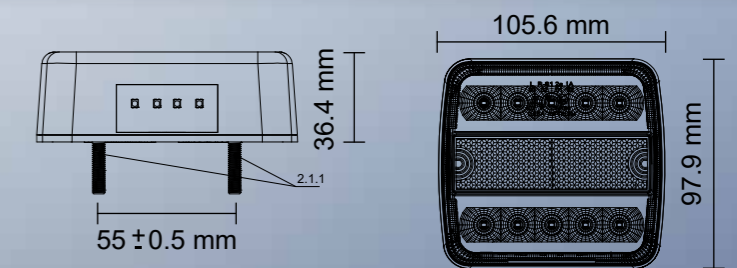
PARAMETERS

- » Light: all LED
- » Use: car, lorry, caravan, tractor, van
- » Mounting: 2 M5 screws
- » Case: PMMA
- » Housing: ABS
- » Cable: 0.15 m
- » Weight: 0.187 kg



L-AGRI

Order No.	Left	Right	Indicators	Tail	Brake	Number plate	Reverse	Fog	Connection
726179	•	•	•	•	•	•			Cable: 0.15 m



LUMINEX[®]

LED TAIL LIGHTS

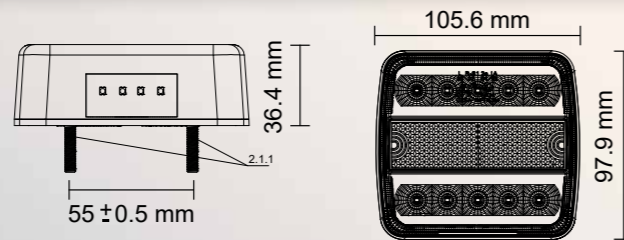
PARAMETERS

- » Light: all LED
- » Use: car, lorry, caravan, tractor, van
- » Mounting: magnet
- » Case: PMMA
- » Housing: ABS
- » Cable: 7.5 m
- » Weight: 1.83 kg

L-AGRI



Order No.	Left	Right	Indicators	Tail	Brake	Number plate	Reverse	Fog	Connection
726186	•	•	•	•	•	•			Cable: 7pin. 7.5 m



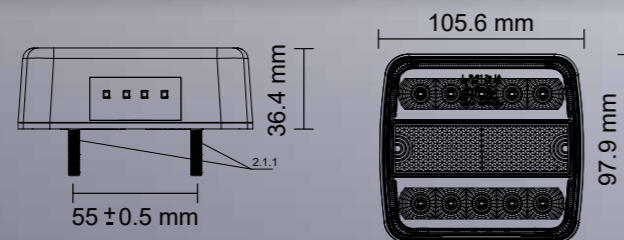
PARAMETERS

- » Light: all LED
- » Use: car, lorry, caravan, tractor, van
- » Mounting: magnet
- » Case: PMMA
- » Housing: ABS
- » Cable: 12 m
- » Weight: 1.83 kg

L-AGRI



Order No.	Left	Right	Indicators	Tail	Brake	Number plate	Reverse	Fog	Connection
726196	•	•	•	•	•	•			Cable: 7pin. 12 m



LED TAIL LIGHTS

PARAMETERS

- » Light: all LED
- » Use: car, lorry, caravan, tractor, van, semi-trailer, trailer, car trailer
- » Mounting: 2 M5 screws
- » Case: PMMA
- » Housing: ABS
- » Cable: 0.15 m
- » Weight: 0.12 kg

L-CUBE



Order No.	Left	Right	Indicators	Tail	Brake	Number plate	Reverse	Fog	Connection
726183	•	•						•	Cable: 0.15 m

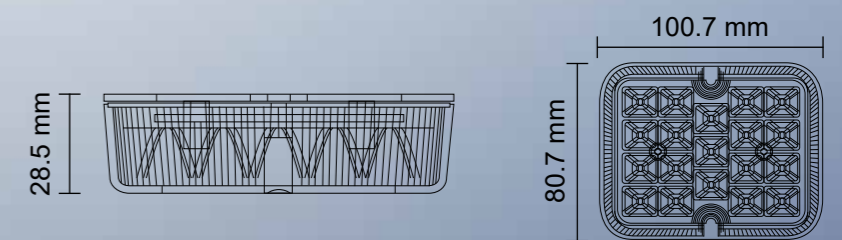
PARAMETERS

- » Light: all LED
- » Use: car, lorry, caravan, tractor, van, semi-trailer, trailer, car trailer
- » Mounting: 2 M5 screws
- » Case: PMMA
- » Housing: ABS
- » Cable: 0.15 m
- » Weight: 0.12 kg

L-CUBE



Order No.	Left	Right	Indicators	Tail	Brake	Number plate	Reverse	Fog	Connection
726184	•	•					•		Cable: 0.15 m



LED TAIL LIGHTS

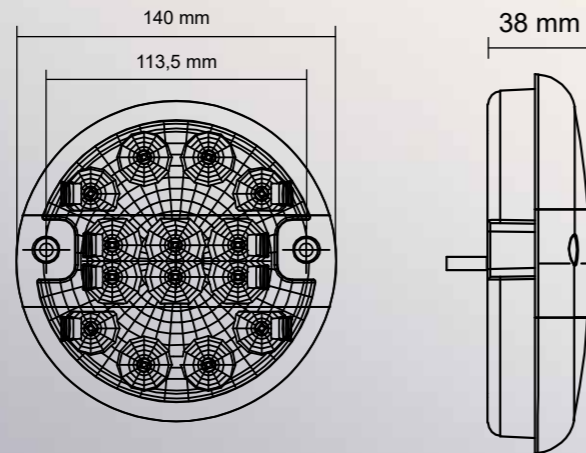
L-ROUND

PARAMETRY

- » Light: all LED
- » Use: cars, lorries, caravans, tractors, trailers, semi-trailers, car trailers
- » Mounting: 2 M5 screws
- » Case: PMMA
- » Housing: ABS
- » Cable: 0.25 m
- » Weight: 0.37 kg
- » -40 °C ~ +65 °C



Order No.	Left	Right	Indicators	Tail	Brake	Number plate	Reverse	Fog	Connection
726187	•	•	•	•	•				Cable: 0,25 m



LED TAIL LIGHTS

L-ROUND

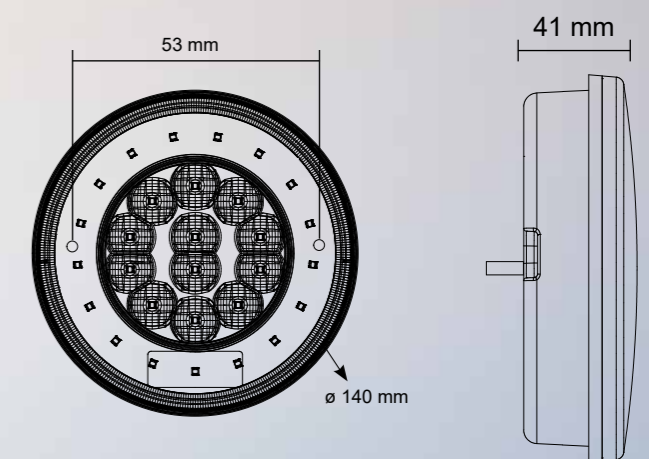
PARAMETRY

- » Light: all LED
- » Use: cars, lorries, caravans, tractors, trailers, semi-trailers, car trailers
- » Mounting: 2 M5 screws
- » Case: PMMA
- » Housing: ABS
- » Cable: 0.25 m
- » Weight: 0.27 kg
- » -40 °C ~ +65 °C



Order No.	Left	Right	Indicators	Tail	Brake	Number plate	Reverse	Fog	Connection
726174	•	•	•	•	•				Cable: 0,25 m

NEON



LED TAIL LIGHTS

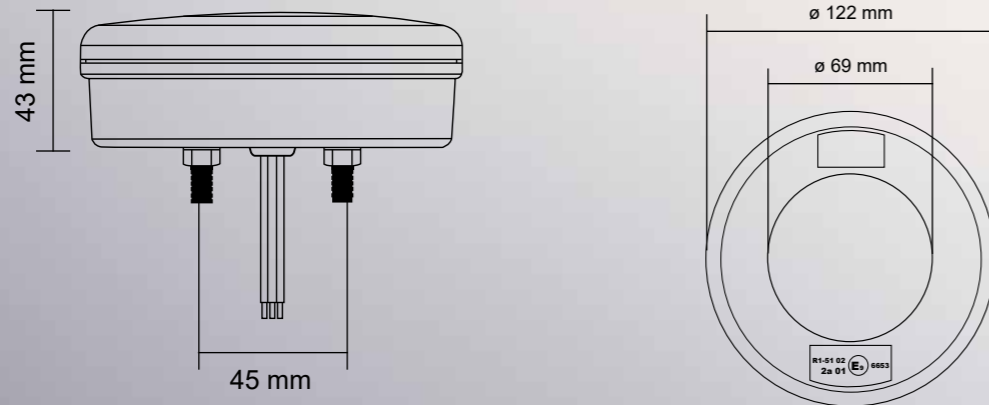
L-ROUND

PARAMETERS

- » Light: all LED
- » Use: car, caravan, tractor, van
- » Mounting: 2 M6 screws
- » Case: PMMA
- » Housing: ABS
- » Cable: 0.15 m
- » Weight: 0.28 kg
- » -40 °C ~ +65 °C



Order No.	Left	Right	Indicators	Tail	Brake	Number plate	Reverse	Fog	Connection
722119	•	•	•	•	•				Cable: 0.15 m



LED TAIL LIGHTS

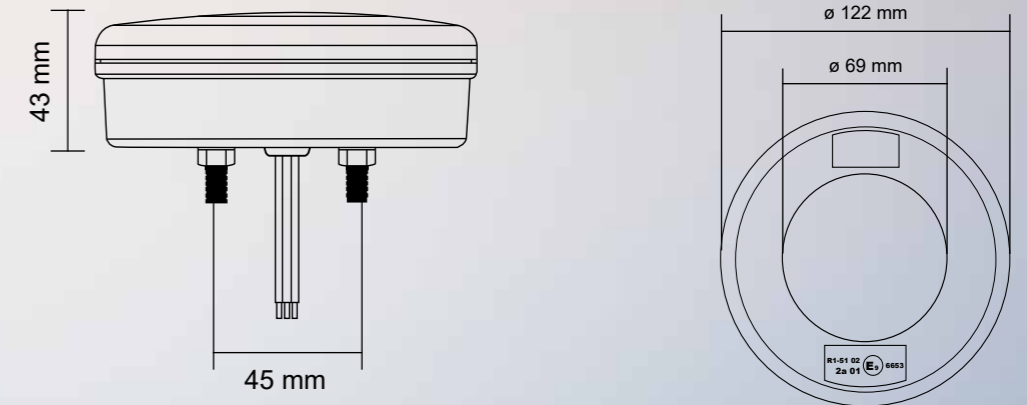
L-ROUND

PARAMETERS

- » Light: all LED
- » Use: car, caravan, tractor, van
- » Mounting: 2 M6 screws
- » Case: PMMA
- » Housing: ABS
- » Cable: 0.15 m
- » Weight: 0.28 kg
- » -40 °C ~ +65 °C



Order No.	Left	Right	Indicators	Tail	Brake	Number plate	Reverse	Fog	Connection
722118	•	•					•	•	Cable: 0.15 m





**HEADLIGHTS
AND DAYTIME
RUNNING LAMPS**

LUMINEX[®]
line

HEADLIGHTS AND DAYTIME RUNNING LAMPS

KUT-015

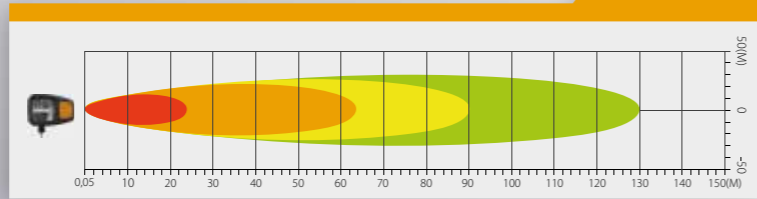
1100 LUMENS



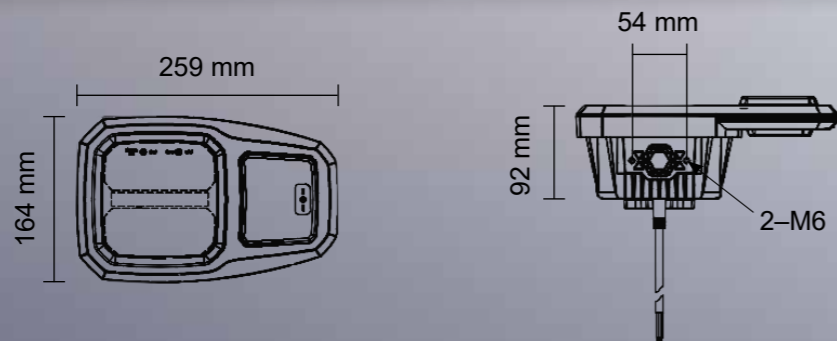
PARAMETERS

- » LED headlight with indicator
- » Fastening: bottom/rear
- » Mounting: M10 screw
- » Case: PMMA
- » Cable: 0.5 m
- » Connector: DEUTSCH
- » Weight: 2.279 kg
- » -40 °C ~ +65 °C

BEAM



Order No.	Left	Right	Low beam	High beam	Outline marker	Indicators	Connection
728322		•	•	•	•	•	Cable: 0.5 m
728323	•		•	•	•	•	Cable: 0.5 m

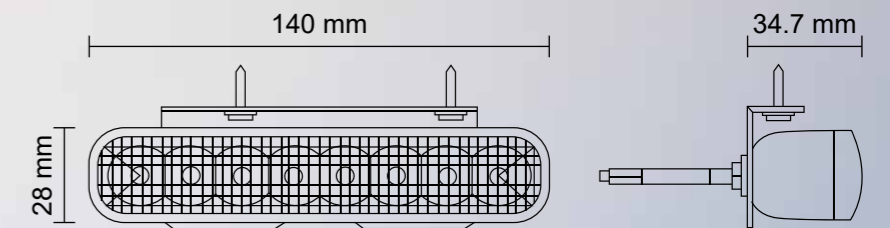


HEADLIGHTS AND DAYTIME RUNNING LAMPS



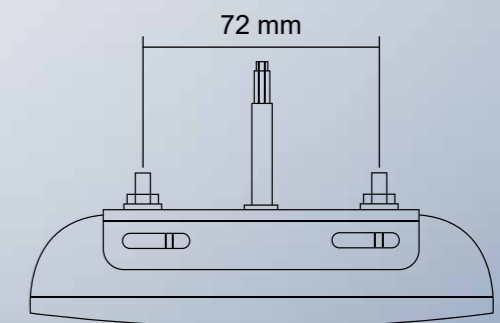
SPARK-01

Order No. 726899



PARAMETERS

- » LED daytime lights
- » 8 LEDs, 4 W
- » Case: ABS
- » Cable: 0.5 m
- » Weight: 0.128 kg
- » -40 °C ~ +65 °C



INTERIOR **LED LIGHTS**

10

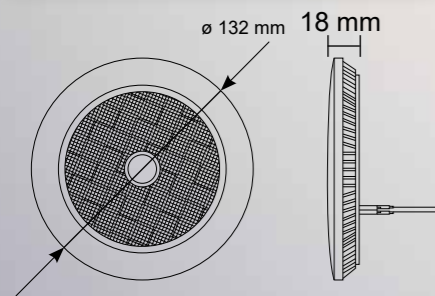
INTERIOR LED LIGHTS

L-SWITCH

Order No. 725332

PARAMETERS

- » Push button switch
- » 35 LEDs
- » Diameter: 132 mm
- » Cable: 0.4 m
- » -40 °C ~ +65 °C

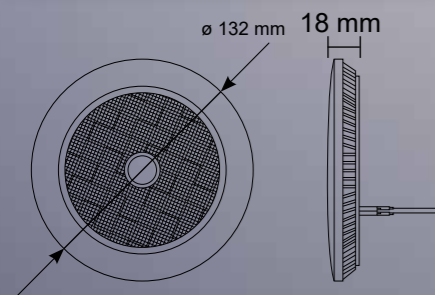


L-SWITCH

Order No. 725333

PARAMETERS

- » PIR sensor
- » 35 LEDs
- » Diameter: 132 mm
- » Cable: 0.4 m
- » -40 °C ~ +65 °C



LUMINEX[®]

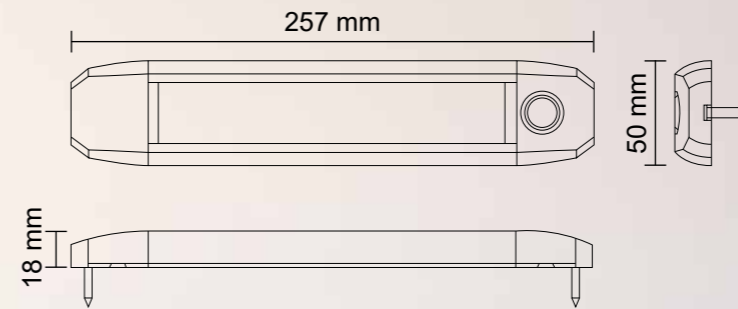
INTERIOR LED LIGHTS

L-SWITCH

Order No. 725334

PARAMETERS

- » Push button switch
- » 24 LEDs
- » Length: 257 mm
- » Cable: 0.4 m
- » -40 °C ~ +65 °C

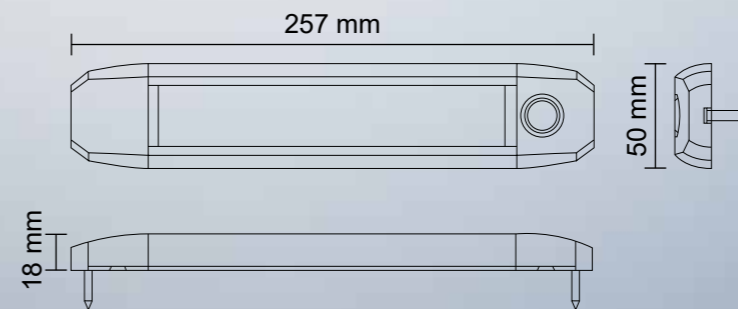


L-SWITCH

Order No. 725335

PARAMETERS

- » PIR sensor
- » 24 LEDs
- » Length: 257 mm
- » Cable: 0.4 m
- » -40 °C ~ +65 °C



LUMINEX[®]

INTERIOR LED LIGHTS

L-SWITCH

Order No. 725336

PARAMETERS

- » Push button switch
- » 48 LEDs
- » Length: 437 mm
- » Cable: 0.4 m
- » -40 °C ~ +65 °C

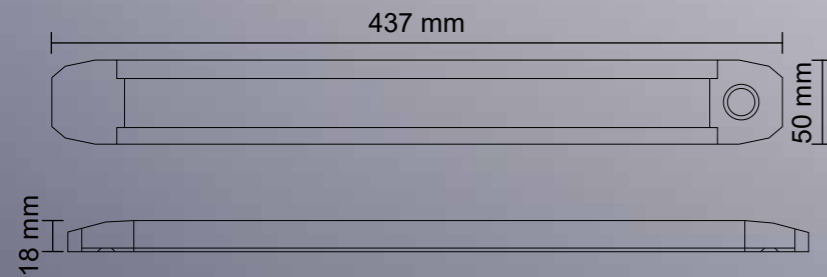


L-SWITCH

Order No. 725337

PARAMETERS

- » PIR sensor
- » 48 LEDs
- » Length: 437 mm
- » Cable: 0.4 m
- » -40 °C ~ +65 °C



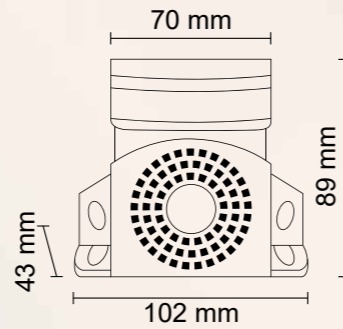
SUPPLEMENTARY **ITEMS**

1

SUPPLEMENTARY ITEMS

REVERSE ALARM WITH WARNING LIGHT

Order No. 729819



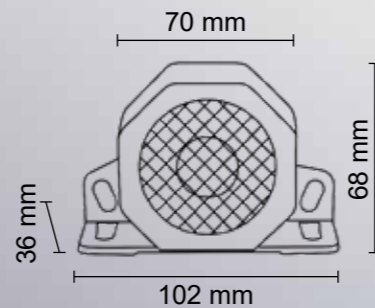
PARAMETERS

- » 3 LEDs (amber), 4.5 W
- » Mounting: screws
- » Volume: 92-107 dB
- » Cable: 0.3 m
- » -30 °C ~ +60 °C



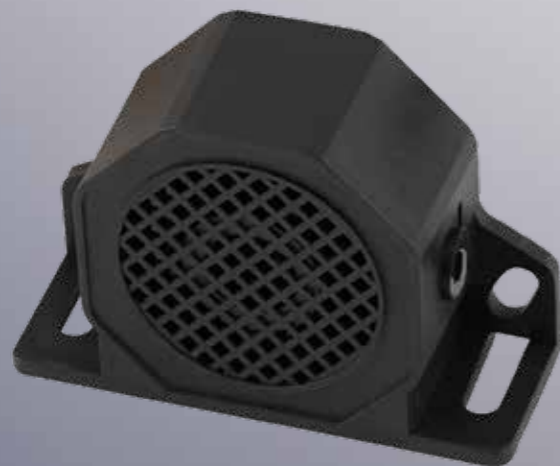
REVERSE ALARM

Order No. 729905



PARAMETERS

- » Mounting: screws
- » Volume: 92-107 dB
- » Cable: 0.3 m
- » -30 °C ~ +60 °C



SUPPLEMENTARY ITEMS

Order No. 729993

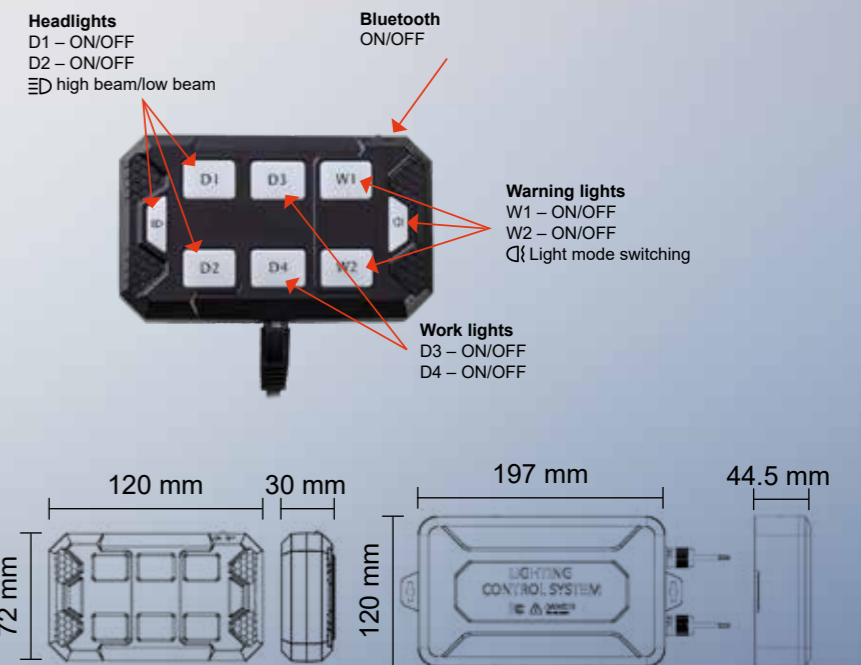


SMART CONTROL UNIT FOR LIGHTS WITH BLUETOOTH



PARAMETERS

- » Connection: 2x warning lights, 2x headlights, 2x work lights
- » Control: mobile application or remote control
- » Package contents: control unit, controller, control cable (RJ connector), 6x DT connector, 2x screws, 2x washers
- » Controller: 1 battery 23 A; 12 V
- » Overload protection
- » Control range: controller 3 m cable, controller 50 m Bluetooth, mobile application 12 m Bluetooth



SUPPLEMENTARY ITEMS

SINGLE I

Order No. 724695

Installation set for additional light with push-button switch. Connected by FASTON connectors.



PARAMETERS

- » Push-button switch with LED indicator (ON/OFF)
- » FASTON connectors
- » Relay: 40 A/12 V
- » Cable: 2.5 m
- » Cables in a protective conduit (up to 150 °C)

SUPPLEMENTARY ITEMS

DOUBLE II

Order No. 724694

Installation set for two additional lights with a push-button switch. Connected by FASTON connectors.



PARAMETERS

- » Two lights can be connected
- » Push-button switch with LED indicator (ON/OFF)
- » FASTON connectors
- » Relay: 40 A/12 V
- » Cable: 2.5 m
- » Cables in a protective conduit (up to 150 °C)

SINGLE I

Order No. 724696

Installation set for additional light with a push-button switch. Connected by a DEUTSCH connector.



PARAMETERS

- » Push-button switch with LED indicator (ON/OFF)
- » Watertight DEUTSCH connector
- » Watertight relay: 40 A/12 V
- » Cable: 2.5 m
- » Cables in a protective conduit (up to 150 °C)

CONTROL II

Order No. 724697

Push-button switch replacement. After connecting, the lights can be controlled by a remote control.



PARAMETERS

- » ON/OFF mode / 2 modes of warning flashes
- » Range: 80-100 m
- » 9-24 V

Sales promotion *LuminexLine*



Attractive look

Easy access to goods

Easy to place on store

Helps to sell